

REALTEK

NOT FOR PUBLIC RELEASE

**RTL8211E-VB-CG
RTL8211E-VL-CG
RTL8211EG-VB-CG**

INTEGRATED 10/100/1000 GIGABIT ETHERNET TRANSCEIVER

DATASHEET

(CONFIDENTIAL: Development Partners Only)

**Rev. 1.3
17 December 2010
Track ID: JATR-2265-11**



Realtek Semiconductor Corp.

No. 2, Innovation Road II, Hsinchu Science Park, Hsinchu 300, Taiwan

Tel.: +886-3-578-0211 Fax: +886-3-577-6047

www.realtek.com

COPYRIGHT

©2010 Realtek Semiconductor Corp. All rights reserved. No part of this document may be reproduced, transmitted, transcribed, stored in a retrieval system, or translated into any language in any form or by any means without the written permission of Realtek Semiconductor Corp.

DISCLAIMER

Realtek provides this document “as is”, without warranty of any kind. Realtek may make improvements and/or changes in this document or in the product described in this document at any time. This document could include technical inaccuracies or typographical errors.

TRADEMARKS

Realtek is a trademark of Realtek Semiconductor Corporation. Other names mentioned in this document are trademarks/registered trademarks of their respective owners.

LICENSE

This product is covered by one or more of the following patents: US5,307,459, US5,434,872, US5,732,094, US6,570,884, US6,115,776, and US6,327,625.

USING THIS DOCUMENT

This document is intended for the software engineer’s reference and provides detailed programming information.

Though every effort has been made to ensure that this document is current and accurate, more information may have become available subsequent to the production of this guide.

REVISION HISTORY

Revision	Release Date	Summary
1.0	2009/08/31	First release.
1.1	2010/08/13	Added RTL8211EG-CG product data.
1.2	2010/08/16	Corrected minor typing errors.
1.3	2010/12/17	Added RTL8211E-VL-CG model number. Revised Table 21 BMCR (Basic Mode Control Register, Address 0x00), page 30. Revised Table 30 GBCR (1000Base-T Control Register, Address 0x09), page 36. Revised Table 38 INSR (Interrupt Status Register, Address 0x13), page 40. Revised Table 48 Power Sequence parameter, page 52. Revised Table 54 MDC/MDIO Management Timing Parameters, page 55. Added section 9.6.2 MII Transmission Cycle Timing, page 56. Added section 9.6.3 MII Reception Cycle Timing, page 57. Revised Table 57 GMII Timing Parameters, page 58. Revised ordering numbers (see Table 59 Ordering Information, page 65).

Table of Contents

1. GENERAL DESCRIPTION.....	1
2. FEATURES.....	2
3. SYSTEM APPLICATIONS.....	3
3.1. APPLICATION DIAGRAM (RTL8211E)	3
3.2. APPLICATION DIAGRAM (RTL8211EG)	3
4. PIN ASSIGNMENTS	4
4.1. RTL8211E PIN ASSIGNMENTS (48-PIN QFN).....	4
4.2. PACKAGE IDENTIFICATION	4
4.3. RTL8211EG PIN ASSIGNMENTS (64-PIN QFN).....	5
4.4. PACKAGE IDENTIFICATION	5
5. PIN DESCRIPTIONS	6
5.1. TRANSCEIVER INTERFACE.....	6
5.2. CLOCK	7
5.3. RGMII	7
5.4. GMII (RTL8211EG ONLY)	8
5.5. MANAGEMENT INTERFACE.....	9
5.6. RESET	9
5.7. MODE SELECTION	9
5.8. LED DEFAULT SETTINGS	10
5.9. REGULATOR AND REFERENCE.....	10
5.10. POWER AND GROUND	10
5.11. NOT CONNECTED	11
6. FUNCTION DESCRIPTION	12
6.1. TRANSMITTER.....	12
6.1.1. GMII/RGMII (1000Mbps) Mode	12
6.1.2. MII (100Mbps) Mode	12
6.1.3. MII (10Mbps) Mode	12
6.2. RECEIVER.....	13
6.2.1. GMII/RGMII (1000Mbps) Mode	13
6.2.2. MII (100Mbps) Mode	13
6.2.3. MII (10Mbps) Mode	13
6.3. ENERGY EFFICIENT ETHERNET (EEE).....	13
6.4. WAKE-ON-LAN (WOL).....	14
6.5. MDI INTERFACE	14
6.6. HARDWARE CONFIGURATION	15
6.7. LED AND PHY ADDRESS CONFIGURATION	16
6.8. GREEN ETHERNET (1000/100Mbps MODE ONLY)	17
6.8.1. Cable Length Power Saving.....	17
6.8.2. Register Setting.....	17
6.9. MAC/PHY INTERFACE	18
6.9.1. MII.....	18
6.9.2. GMII.....	18
6.9.3. RGMII.....	18
6.9.4. Management Interface.....	18
6.9.5. Access to Extension Page (ExtPage).....	19

6.9.6.	Access to MDIO Manageable Device (MMD)	20
6.10.	AUTO-NEGOTIATION	21
6.10.1.	Auto-Negotiation Priority Resolution	24
6.10.2.	Auto-Negotiation Master/Slave Resolution	25
6.10.3.	Auto-Negotiation PAUSE/ASYMMETRIC PAUSE Resolution	25
6.11.	CROSSOVER DETECTION AND AUTO-CORRECTION	26
6.12.	LED CONFIGURATION	27
6.13.	POLARITY CORRECTION	28
6.14.	POWER	28
7.	REGISTER DESCRIPTIONS	29
7.1.	REGISTER MAPPING AND DEFINITIONS	29
7.2.	MMD REGISTER MAPPING AND DEFINITION	29
7.3.	REGISTER TABLE	30
7.3.1.	BMCR (Basic Mode Control Register, Address 0x00)	30
7.3.2.	BMSR (Basic Mode Status Register, Address 0x01)	31
7.3.3.	PHYID1 (PHY Identifier Register 1, Address 0x02)	32
7.3.4.	PHYID2 (PHY Identifier Register 2, Address 0x03)	32
7.3.5.	ANAR (Auto-Negotiation Advertising Register, Address 0x04)	33
7.3.6.	ANLPAR (Auto-Negotiation Link Partner Ability Register, Address 0x05)	34
7.3.7.	ANER (Auto-Negotiation Expansion Register, Address 0x06)	34
7.3.8.	ANNPTR (Auto-Negotiation Next Page Transmit Register, Address 0x07)	35
7.3.9.	ANNPRR (Auto-Negotiation Next Page Receive Register, Address 0x08)	35
7.3.10.	GBCR (1000Base-T Control Register, Address 0x09)	36
7.3.11.	GBSR (1000Base-T Status Register, Address 0x0A)	37
7.3.12.	MACR (MMD Access Control Register, Address 0x0D)	37
7.3.13.	MAADR (MMD Access Address Data Register, Address 0x0E)	38
7.3.14.	GBESR (1000Base-T Extended Status Register, Address 0x0F)	38
7.3.15.	PHYCR (PHY Specific Control Register, Address 0x10)	38
7.3.16.	PHYSR (PHY Specific Status Register, Address 0x11)	39
7.3.17.	INER (Interrupt Enable Register, Address 0x12)	39
7.3.18.	INSR (Interrupt Status Register, Address 0x13)	40
7.3.19.	RXERC (Receive Error Counter, Address 0x18)	40
7.3.20.	PAGSEL (Page Select Register, Address 0x1F)	40
7.3.21.	PC1R (PCS Control 1 Register, MMD Device 3, Address 0x00)	40
7.3.22.	PS1R (PCS Status 1 Register, MMD Device 3, Address 0x01)	41
7.3.23.	EEECR (EEE Capability Register, MMD Device 3, Address 0x14)	41
7.3.24.	EEEWER (EEE Wake Error Register, MMD Device 3, Address 0x16)	41
7.3.25.	EEEAR (EEE Advertisement Register, MMD Device 7, Address 0x3c)	42
7.3.26.	EEELPAR (EEE Link Partner Ability Register, MMD Device 7, Address 0x3d)	42
8.	SWITCHING REGULATOR	43
8.1.	PCB LAYOUT	43
8.2.	INDUCTOR AND CAPACITOR PARTS LIST	44
8.3.	MEASUREMENT CRITERIA	45
8.4.	EFFICIENCY MEASUREMENT	51
8.5.	POWER SEQUENCE	52
9.	CHARACTERISTICS	53
9.1.	ABSOLUTE MAXIMUM RATINGS	53
9.2.	RECOMMENDED OPERATING CONDITIONS	53
9.3.	CRYSTAL REQUIREMENTS	53
9.4.	OSCILLATOR REQUIREMENTS	54
9.5.	DC CHARACTERISTICS	54

9.6.	AC CHARACTERISTICS	55
9.6.1.	MDC/MDIO Timing	55
9.6.2.	MII Transmission Cycle Timing (RTL8211EG Only).....	56
9.6.3.	MII Reception Cycle Timing (RTL8211EG Only)	57
9.6.4.	GMII Timing Modes (RTL8211EG Only).....	58
9.6.5.	RGMIITiming Modes.....	59
10.	MECHANICAL DIMENSIONS.....	62
10.1.	RTL8211E MECHANICAL DIMENSIONS (48-PIN QFN)	62
10.2.	MECHANICAL DIMENSIONS NOTES (RTL8211E)	62
10.3.	RTL8211EG MECHANICAL DIMENSIONS (64-PIN QFN)	63
10.4.	MECHANICAL DIMENSIONS NOTES (RTL8211EG)	64
11.	ORDERING INFORMATION.....	65

List of Tables

TABLE 1. TRANSCEIVER INTERFACE	6
TABLE 2. CLOCK	7
TABLE 3. RGMII	7
TABLE 4. GMII (RTL8211EG ONLY)	8
TABLE 5. MANAGEMENT INTERFACE	9
TABLE 6. RESET	9
TABLE 7. MODE SELECTION	9
TABLE 8. LED DEFAULT SETTINGS	10
TABLE 9. REGULATOR AND REFERENCE	10
TABLE 10. POWER AND GROUND	10
TABLE 11. NOT CONNECTED	11
TABLE 12. CONFIG PINS VS. CONFIGURATION REGISTER	15
TABLE 13. CONFIGURATION REGISTER DEFINITION	15
TABLE 14. TYPICAL MDIO FRAME FORMAT	18
TABLE 15. 1000BASE-T BASE AND NEXT PAGES BIT ASSIGNMENTS	22
TABLE 16. LED DEFAULT DEFINITIONS	27
TABLE 17. LED REGISTER TABLE	27
TABLE 18. LED CONFIGURATION TABLE	28
TABLE 19. REGISTER MAPPING AND DEFINITIONS	29
TABLE 20. MMD REGISTER MAPPING AND DEFINITION	29
TABLE 21. BMCR (BASIC MODE CONTROL REGISTER, ADDRESS 0x00)	30
TABLE 22. BMSR (BASIC MODE STATUS REGISTER, ADDRESS 0x01)	31
TABLE 23. PHYID1 (PHY IDENTIFIER REGISTER 1, ADDRESS 0x02)	32
TABLE 24. PHYID2 (PHY IDENTIFIER REGISTER 2, ADDRESS 0x03)	32
TABLE 25. ANAR (AUTO-NEGOTIATION ADVERTISING REGISTER, ADDRESS 0x04)	33
TABLE 26. ANLPAR (AUTO-NEGOTIATION LINK PARTNER ABILITY REGISTER, ADDRESS 0x05)	34
TABLE 27. ANER (AUTO-NEGOTIATION EXPANSION REGISTER, ADDRESS 0x06)	34
TABLE 28. ANNPTR (AUTO-NEGOTIATION NEXT PAGE TRANSMIT REGISTER, ADDRESS 0x07)	35
TABLE 29. ANNPRR (AUTO-NEGOTIATION NEXT PAGE RECEIVE REGISTER, ADDRESS 0x08)	35
TABLE 30. GBCR (1000BASE-T CONTROL REGISTER, ADDRESS 0x09)	36
TABLE 31. GBSR (1000BASE-T STATUS REGISTER, ADDRESS 0x0A)	37
TABLE 32. MACR (MMD ACCESS CONTROL REGISTER, ADDRESS 0x0D)	37
TABLE 33. MAADR (MMD ACCESS ADDRESS DATA REGISTER, ADDRESS 0x0E)	38
TABLE 34. GBESR (1000BASE-T EXTENDED STATUS REGISTER, ADDRESS 0x0F)	38
TABLE 35. PHYCR (PHY SPECIFIC CONTROL REGISTER, ADDRESS 0x10)	38
TABLE 36. PHYSR (PHY SPECIFIC STATUS REGISTER, ADDRESS 0x11)	39
TABLE 37. INER (INTERRUPT ENABLE REGISTER, ADDRESS 0x12)	39
TABLE 38. INSR (INTERRUPT STATUS REGISTER, ADDRESS 0x13)	40
TABLE 39. RXERC (RECEIVE ERROR COUNTER, ADDRESS 0x18)	40
TABLE 40. PAGSEL (PAGE SELECT REGISTER, ADDRESS 0x1F)	40
TABLE 41. PC1R (PCS CONTROL 1 REGISTER, MMD DEVICE 3, ADDRESS 0x00)	40
TABLE 42. PS1R (PCS STATUS 1 REGISTER, MMD DEVICE 3, ADDRESS 0x01)	41
TABLE 43. EEECR (EEE CAPABILITY REGISTER, MMD DEVICE 3, ADDRESS 0x14)	41
TABLE 44. EEEWER (EEE WAKE ERROR REGISTER, MMD DEVICE 3, ADDRESS 0x16)	41
TABLE 45. EEEAR (EEE ADVERTISEMENT REGISTER, MMD DEVICE 7, ADDRESS 0x3C)	42
TABLE 46. EEELPAR (EEE LINK PARTNER ABILITY REGISTER, MMD DEVICE 7, ADDRESS 0x3D)	42
TABLE 47. INDUCTOR AND CAPACITOR PARTS LIST	44
TABLE 48. POWER SEQUENCE PARAMETER	52
TABLE 49. ABSOLUTE MAXIMUM RATINGS	53
TABLE 50. RECOMMENDED OPERATING CONDITIONS	53
TABLE 51. CRYSTAL REQUIREMENTS	53

TABLE 52. OSCILLATOR REQUIREMENTS	54
TABLE 53. DC CHARACTERISTICS.....	54
TABLE 54. MDC/MDIO MANAGEMENT TIMING PARAMETERS	55
TABLE 55. MII TRANSMISSION CYCLE TIMING	56
TABLE 56. MII RECEPTION CYCLE TIMING	57
TABLE 57. GMII TIMING PARAMETERS	58
TABLE 58. RGMII TIMING PARAMETERS	61
TABLE 59. ORDERING INFORMATION	65

List of Figures

FIGURE 1. APPLICATION DIAGRAM (RTL8211E)	3
FIGURE 2. APPLICATION DIAGRAM (RTL8211EG).....	3
FIGURE 3. RTL8211E PIN ASSIGNMENTS (48-PIN QFN).....	4
FIGURE 4. RTL8211EG PIN ASSIGNMENTS (64-PIN QFN).....	5
FIGURE 5. LED AND PHY ADDRESS CONFIGURATION	16
FIGURE 6. TYPICAL MDC/MDIO READ TIMING.....	19
FIGURE 7. TYPICAL MDC/MDIO WRITE TIMING	19
FIGURE 8. SWITCHING REGULATOR	43
FIGURE 9. INPUT VOLTAGE OVERTHOOT <4V (GOOD)	45
FIGURE 10. INPUT VOLTAGE OVERTHOOT >4V (BAD)	45
FIGURE 11. CERAMIC 10 μ F 0603 (X5R) (GOOD)	46
FIGURE 12. L=GLK2510P-2R2M, C=CERAMIC 4.7 μ F 0805 X5R TDK (RIPPLE 12.4MV)	46
FIGURE 13. L=GLK2510P-2R2M, C=CERAMIC 10 μ F 0603 X5R YAGEO (RIPPLE 13.2MV)	47
FIGURE 14. L=GLK2510P-4R7M, C=CERAMIC 4.7 μ F 0805 X5R TDK (RIPPLE 12MV)	47
FIGURE 15. L=GLK2510P-4R7M, C=CERAMIC 10 μ F 0603 X5R YAGEO (RIPPLE 11.2MV)	48
FIGURE 16. L=GTSD32P-2R2M, C=CERAMIC 4.7 μ F 0805 X5R TDK (RIPPLE 9.2MV)	48
FIGURE 17. CERAMIC 10 μ F (Y5V) (BAD).....	49
FIGURE 18. ELECTROLYTIC 100 μ F (RIPPLE TOO HIGH).....	49
FIGURE 19. GTSD32P-2R2M (GOOD).....	50
FIGURE 20. 1 μ H BEAD (BAD).....	50
FIGURE 21. SWITCHING REGULATOR EFFICIENCY MEASUREMENT CHECKPOINT	52
FIGURE 22. POWER SEQUENCE.....	52
FIGURE 23. MDC/MDIO MANAGEMENT TIMING PARAMETERS	55
FIGURE 24. MII TRANSMISSION CYCLE TIMING	56
FIGURE 25. MII RECEPTION CYCLE TIMING	57
FIGURE 26. GMII TIMING	58
FIGURE 27. RGMII TIMING MODES	60

1. General Description

The Realtek RTL8211E-VB-CG/RTL8211E-VL-CG/RTL8211EG-VB-CG is a highly integrated Ethernet transceiver that complies with 10Base-T, 100Base-TX, and 1000Base-T IEEE 802.3 standards. It provides all the necessary physical layer functions to transmit and receive Ethernet packets over CAT 5 UTP cable or CAT 3 UTP (10Mbps only) cable.

The RTL8211E/RTL8211EG uses state-of-the-art DSP technology and an Analog Front End (AFE) to enable high-speed data transmission and reception over UTP cable. Functions such as Crossover Detection & Auto-Correction, polarity correction, adaptive equalization, cross-talk cancellation, echo cancellation, timing recovery, and error correction are implemented in the RTL8211E/RTL8211EG to provide robust transmission and reception capabilities at 10Mbps, 100Mbps, or 1000Mbps.

Data transfer between MAC and PHY is via the Reduced Gigabit Media Independent Interface (RGMI) for 1000Base-T, 10Base-T, and 100Base-TX.

2. Features

- 1000Base-T IEEE 802.3ab Compliant
- 100Base-TX IEEE 802.3u Compliant
- 10Base-T IEEE 802.3 Compliant
- IEEE 802.3 Compliant RGMII
- IEEE 802.3 Compliant GMII/MII (RTL8211EG only)
- Supports IEEE 802.3az Draft 3.2 (Energy Efficient Ethernet)
- Built-in Wake-on-LAN (WOL)
- Supports Interrupt function
- Supports Parallel Detection
- Crossover Detection & Auto-Correction
- Automatic polarity correction
- Supports PHYRSTB core power Turn-Off
- Baseline Wander Correction
- Supports half/full duplex operation
- Supports 120m for CAT.5 cable in 1000Base-T
- Supports 3.3V or 2.5V signaling for RGMII/GMII (RTL8211E-VB, RTL8211EG-VB)
- Supports 1.8V or 1.5V signaling for RGMII (RTL8211E-VL)
- Supports 25/50MHz external crystal or OSC
- Provides 125MHz clock source for MAC
- Provides 3 network status LEDs
- Supports Link Down power saving
- Green Ethernet (1000/100Mbps mode only)
- Built-in switching regulator
- Packages
 - ◆ 48-pin QFN (RTL8211E)
 - ◆ 64-pin QFN (RTL8211EG)
- 0.11 μ m process with very low power consumption

3. System Applications

Network Interface Adapter, MAU (Media Access Unit), CNR (Communication and Network Riser), ACR (Advanced Communication Riser), Ethernet hub, and Ethernet switch.

In addition, it can be used in any embedded system with an Ethernet MAC that needs a UTP physical connection.

3.1. Application Diagram (RTL8211E)

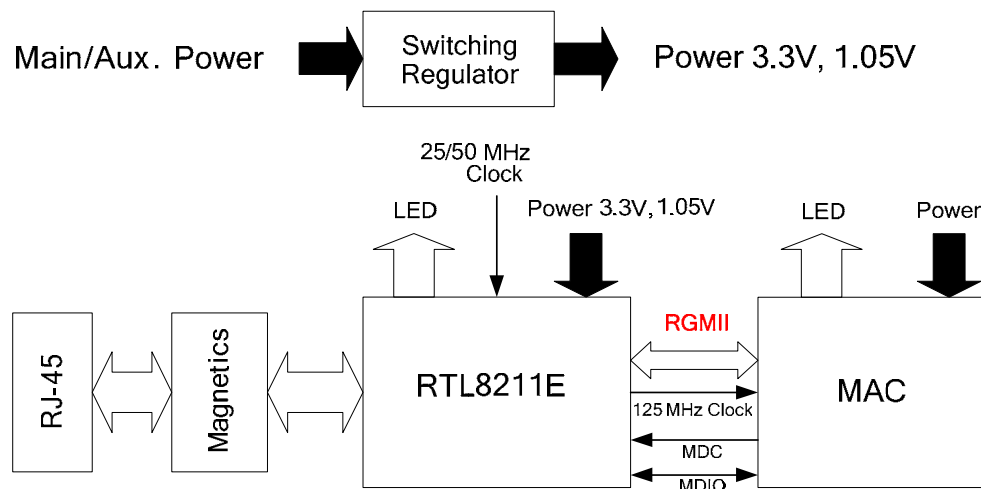


Figure 1. Application Diagram (RTL8211E)

3.2. Application Diagram (RTL8211EG)

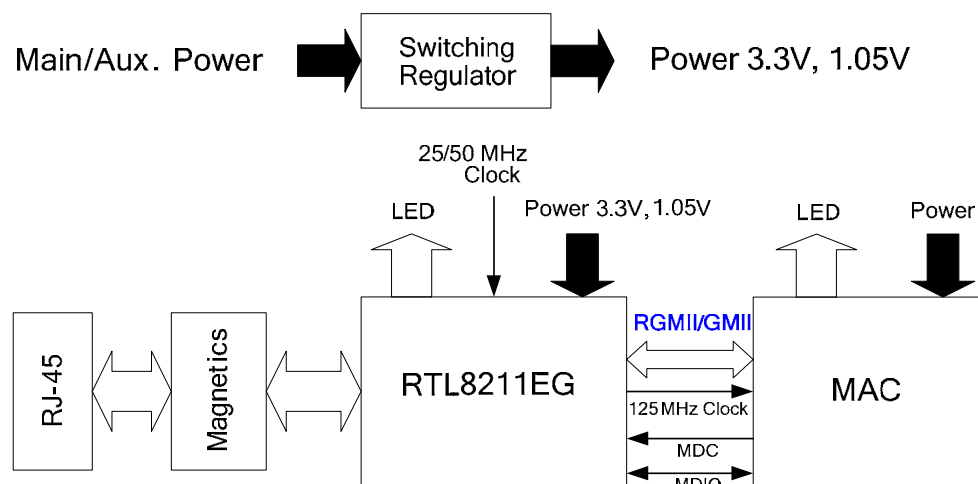


Figure 2. Application Diagram (RTL8211EG)

4. Pin Assignments

4.1. RTL8211E Pin Assignments (48-Pin QFN)

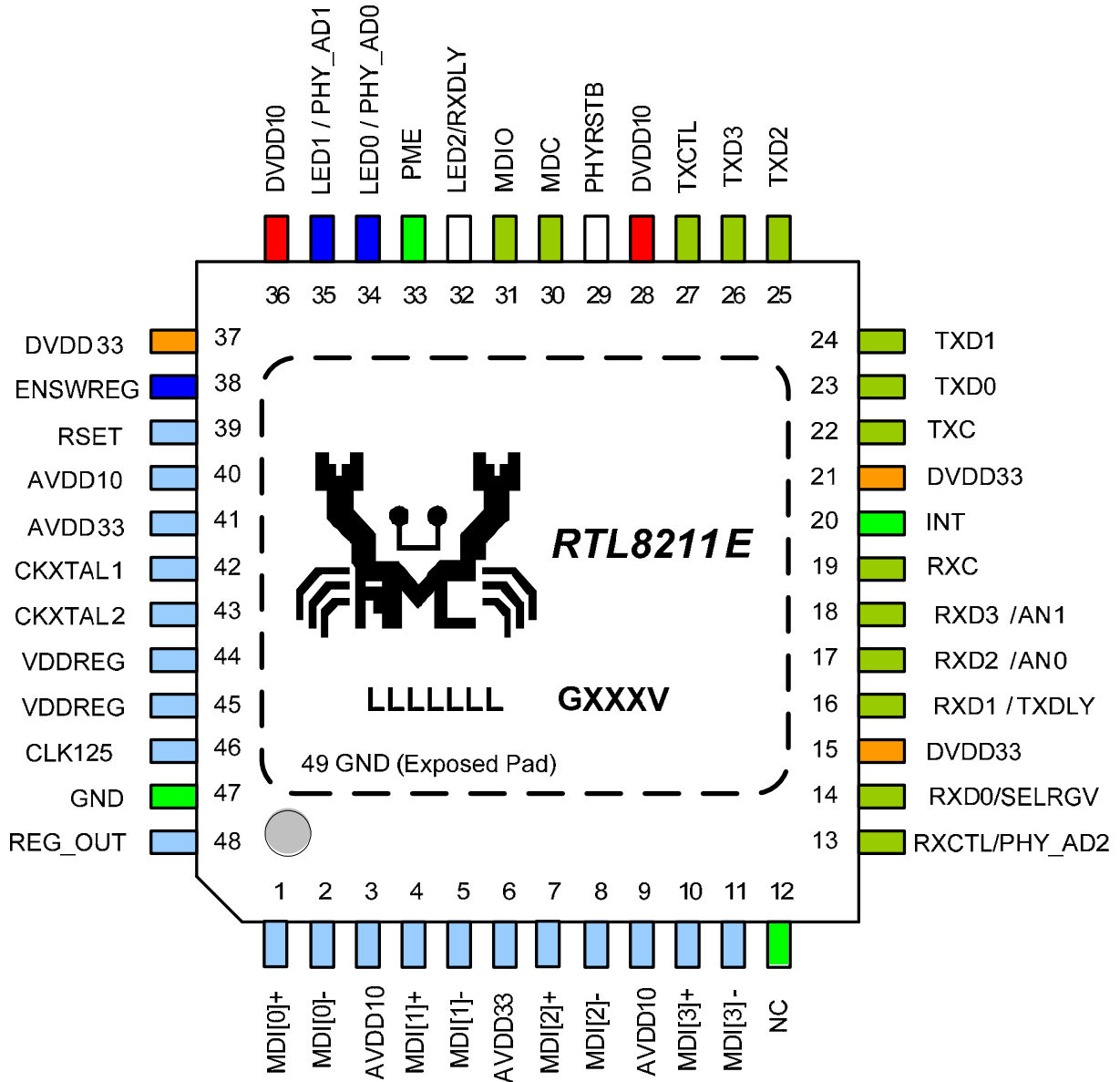


Figure 3. RTL8211E Pin Assignments (48-Pin QFN)

4.2. Package Identification

Green package is indicated by the 'G' in GXXXV (Figure 3). The version is shown in the location marked 'V'.

4.3. RTL8211EG Pin Assignments (64-Pin QFN)

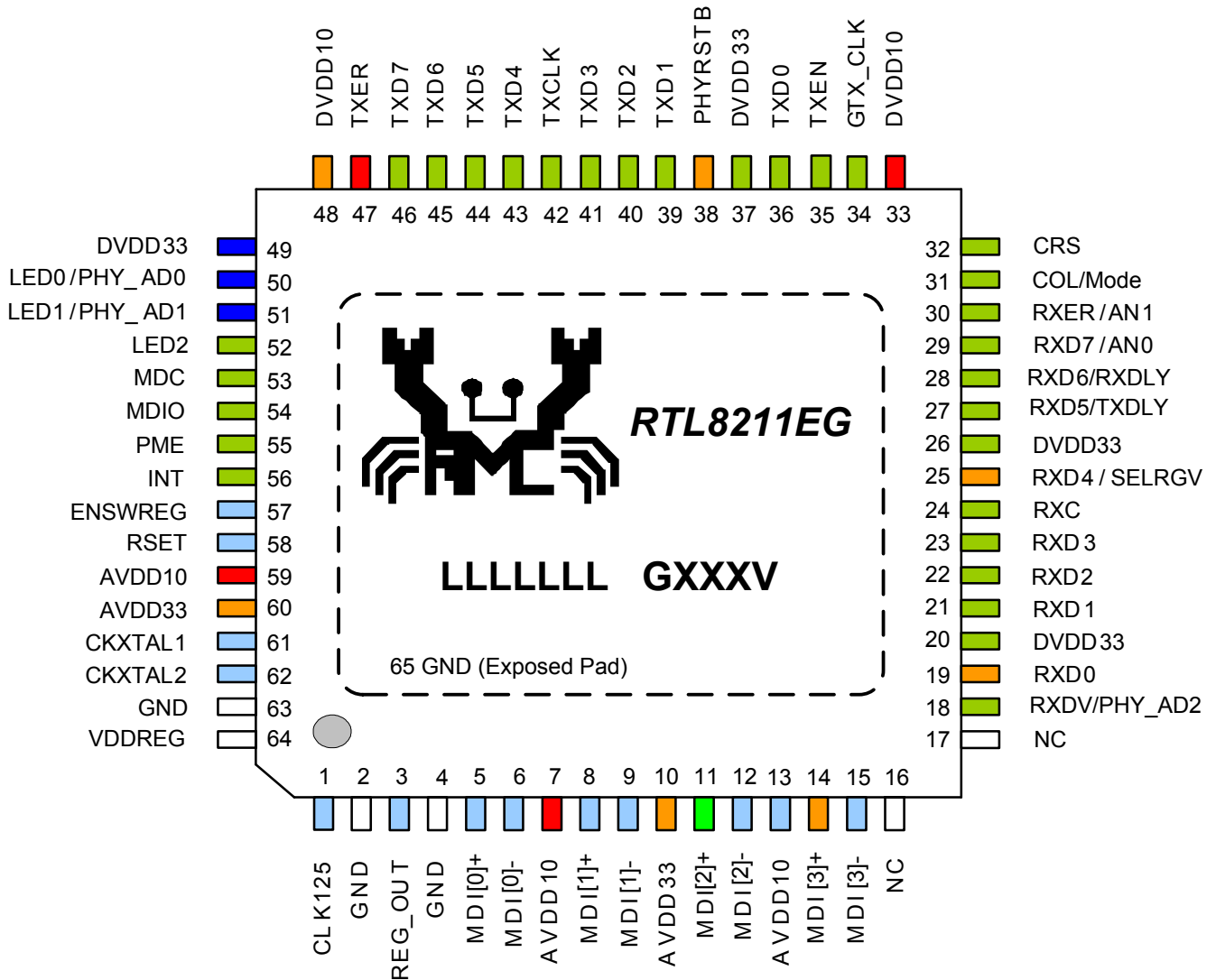


Figure 4. RTL8211EG Pin Assignments (64-Pin QFN)

4.4. Package Identification

Green package is indicated by the ‘G’ in GXXXV (Figure 4). The version is shown in the location marked ‘V’.

5. Pin Descriptions

Note that some pins have multiple functions. Refer to the Pin Assignments figure on page 4 for a graphical representation.

I: Input	LI: Latched Input during Power up or Reset
O: Output	IO: Bi-directional input and output
P: Power	PD: Internal Pull down during power on reset
PU: Internal Pull up during power on reset	OP: Open Drain
G: Ground	

5.1. Transceiver Interface

Table 1. Transceiver Interface

Pin No. (48-pin)	Pin No. (64-pin)	Pin Name	Type	Description
1	5	MDI[0]+	IO	In MDI mode, this is the first pair in 1000Base-T, i.e., the BI_DA+/- pair, and is the transmit pair in 10Base-T and 100Base-TX.
2	6	MDI[0]-	IO	In MDI crossover mode, this pair acts as the BI_DB+/- pair, and is the receive pair in 10Base-T and 100Base-TX.
4	8	MDI[1]+	IO	In MDI mode, this is the second pair in 1000Base-T, i.e., the BI_DB+/- pair, and is the receive pair in 10Base-T and 100Base-TX.
5	9	MDI[1]-	IO	In MDI crossover mode, this pair acts as the BI_DA+/- pair, and is the transmit pair in 10Base-T and 100Base-TX.
7	11	MDI[2]+	IO	In MDI mode, this is the third pair in 1000Base-T, i.e., the BI_DC+/- pair.
8	12	MDI[2]-	IO	In MDI crossover mode, this pair acts as the BI_DD+/- pair.
10	14	MDI[3]+	IO	In MDI mode, this is the fourth pair in 1000Base-T, i.e., the BI_DD+/- pair.
11	15	MDI[3]-	IO	In MDI crossover mode, this pair acts as the BI_DC+/- pair.

5.2. Clock

Table 2. Clock

Pin No. (48-pin)	Pin No. (64-pin)	Pin Name	Type	Description
42	61	CKXTAL1	I	25/50MHz Crystal Input. If a 25/50MHz oscillator is used, connect CKXTAL1 to the oscillator's output (see section 9.3 Crystal Requirements, page 53 for clock source specifications).
43	62	CKXTAL2	O	25/50MHz Crystal Output. Must be left open when an external 25/50MHz oscillator drives CKXTAL2.
46	1	CLK125	O/PD	125MHz Reference Clock Generated from Internal PLL. This pin should be kept floating if the 125MHz clock is not be used for MAC.

5.3. RGMII

Table 3. RGMII

Pin No. (48-pin)	Pin No. (64-pin)	Pin Name	Type (48-pin)	Type (64-pin)	Description
22	34	GTX_CLK	I		The transmit reference clock will be 125MHz, 25MHz, or 2.5MHz depending on speed. The RTL8211E pin22 is named TXC.
23	36	TXD0	I		Transmit Data. Data is transmitted from MAC to PHY via TXD[3:0].
24	39	TXD1	I		
25	40	TXD2	I		
26	41	TXD3	I		
27	35	TXCTL	I		Receive Control Signal from the MAC. The RTL8211EG pin35 is named TXEN.
19	24	RXC	O		The continuous receive reference clock will be 125MHz, 25MHz, or 2.5MHz, and is derived from the received data stream.
14	19	RXD0	O/LI/PU	O	Receive Data. Data is transmitted from PHY to MAC via RXD[3:0].
16	21	RXD1	O/LI/PD	O	
17	22	RXD2	O/LI/PU	O	
18	23	RXD3	O/LI/PU	O	
13	18	RXCTL	O/LI/PD		Transmit Control Signal to the MAC. The RTL8211EG pin18 is named RXDV.
16	27	TXDLY	O/LI/PD		RGMII Transmit Clock Timing Control. 1: Add 2ns delay to TXC for TXD latching
32	28	RXDLY	O/LI/PD		RGMII Receiver Clock Timing Control. 1: Add 2ns delay to RXC for RXD latching

5.4. GMII (RTL8211EG Only)

Table 4. GMII (RTL8211EG Only)

Pin No. (48-pin)	Pin No. (64-pin)	Pin Name	Type	Description
-	34	GTX_CLK	I	The transmit reference clock will be 125MHz.
-	42	TXCLK	O	The transmit reference clock will be 25MHz, or 2.5MHz depending on speed.
-	36	TXD0	I	Transmit Data. Data is transmitted from MAC to PHY via TXD[7:0].
-	39	TXD1	I	
-	40	TXD2	I	
-	41	TXD3	I	
-	43	TXD4	I	
-	44	TXD5	I	
-	45	TXD6	I	
-	46	TXD7	I	
-	35	TXEN	I	
-	47	TXER	I	Transmit Error. When both TXER and TXEN are asserted, the transmit error symbol is transmitted onto the cable. When TXER is asserted and TXEN is de-asserted, the carrier extension symbol is transmitted onto the cable.
-	24	RXC	O	The continuous receive reference clock will be 125MHz, 25MHz, or 2.5MHz; is derived from the received data stream.
-	19	RXD0	O	Receive Data. Data is transmitted from PHY to MAC via RXD[7:0].
-	21	RXD1	O	
-	22	RXD2	O	
-	23	RXD3	O	
-	25	RXD4	O/LI/PU	
-	27	RXD5	O/LI/PD	
-	28	RXD6	O/LI/PD	
-	29	RXD7	O/LI/PU	
-	18	RXDV	O/LI/PD	Receive Data Valid.
-	30	RXER	O/LI/PU	Receive Error. When both RXER and RXDV are asserted, an error symbol is received from the cable. When RXER is asserted and RXDV is de-asserted, it means false carrier or carrier extension symbol is detected on the cable.
-	31	COL/Mode	O/LI/PD	Collision In Half Duplex Mode.
-	32	CRS	O/PD	Carrier Sense.

5.5. Management Interface

Table 5. Management Interface

Pin No. (48-pin)	Pin No. (64-pin)	Pin Name	Type	Description
30	53	MDC	I	Management Data Clock.
31	54	MDIO	IO	Input/Output of Management Data.
33	55	PME	O/OD	Power Management Event (supports 3.3V and 5V pull up). Set low if received a magic packet or wake up frame; active low. This pin will be kept floating if this function is not used.
20	56	INT	O/OD	Interrupt. Set low if status changed; active low. This pin will be kept floating if this function is not used.

5.6. Reset

Table 6. Reset

Pin No. (48-pin)	Pin No. (64-pin)	Pin Name	Type	Description
29	38	PHYRSTB	I	Hardware Reset. Active low.

5.7. Mode Selection

Table 7. Mode Selection

Pin No. (48-pin)	Pin No. (64-pin)	Pin Name	Type (48-pin)	Type (64-pin)	Description
34	50	PHY_AD0	O/LI/PU		PHY Address Configuration.
35	51	PHY_AD1	O/LI/PD		
13	18	PHY_AD2	O/LI/PD		
17	29	AN0	O/LI/PU		Auto-Negotiation (NWay) Configuration.
18	30	AN1	O/LI/PU		
-	31	COL/Mode	-	O/LI/PD	GMII/RGMII Mode Configuration. Pull Up for RGMII. Pull Down for GMII.
14	25	SELRGV	O/LI/PU		Pull Up for 3.3V GMII/RGMII. (RTL8211E-VB;RTL8211EG-VB) Pull Down for 2.5V GMII/RGMII. (RTL8211E-VB;RTL8211EG-VB) Pull Up for 1.8/1.5V RGMII (RTL8211E-VL).

Note: See section 6.6 Hardware Configuration, page 15 for details.

5.8. LED Default Settings

Table 8. LED Default Settings

Pin No. (48-pin)	Pin No. (64-pin)	Pin Name	Type	Description
34	50	LED0	O/LI/PU	Blinking=Transmitting or Receiving.
35	51	LED1	O/LI/PD	Low=Link Up (Any speed) High=Link Down (Any speed) <i>Note: High/Low active depends on hardware configuration setting.</i>
32	52	LED2	O/LI/PD	No default setting. See Table 18 LED Configuration Table, page 28 for configuration details.

Note: See section 6.12 LED Configuration, page 27 for details.

5.9. Regulator and Reference

Table 9. Regulator and Reference

Pin No. (48-pin)	Pin No. (64-pin)	Pin Name	Type	Description
39	58	RSET	O	Reference. External Resistor Reference.
44, 45	64	VDDREG	P	Analog 3.3V Power Supply for Switching Regulator.
48	3	REG_OUT	O	Switching Regulator 1.05V Output. Connect to a 2.2 μ H or 4.7 μ H inductor.
3	7	AVDD10	P	Feedback Pin for Switching Regulator.
38	57	ENSWREG	I	3.3V: Enable switching regulator. 0V: Disable switching regulator.

5.10. Power and Ground

Table 10. Power and Ground

Pin No. (48-pin)	Pin No. (64-pin)	Pin Name	Type	Description
15, 21, 37	20, 26, 37, 49	DVDD33	P	Digital Power. 3.3V.
15, 21	20, 26	DVDD33	P	GMII/RGMII Power Pins, for 3.3 or 2.5V GMII/RGMII I/O. <i>Note: Only the RTL8211EG supports GMII.</i>
28, 36	33, 48	DVDD10	P	Digital Power. 1.05V.
6, 41	10, 60	AVDD33	P	Analog Power. 3.3V.
44, 45	64	VDDREG	P	Analog 3.3V Power Supply for Switching Regulator.
3, 9, 40	7, 13, 59	AVDD10	P	Analog Power. 1.05V.
47	2, 4, 63	GND	G	Ground. Exposed Pad (E-Pad) is Analog and Digital Ground (see section 10 Mechanical Dimensions, page 62).

5.11. Not Connected

Table 11. Not Connected

Pin No. (48-pin)	Pin No. (64-pin)	Pin Name	Type	Description
12	16, 17	NC	-	Not Connected.

6. Function Description

6.1. *Transmitter*

Based on state-of-the-art DSP technology and mixed-mode signal processing technology, the RTL8211E/RTL8211EG is capable of operating at 10/100/1000Mbps link speed over standard CAT.5 UTP cable and CAT.3 UTP cable (10Mbps).

6.1.1. **GMII/RGMII (1000Mbps) Mode**

The RTL8211E/RTL8211EG's PCS layer receives data bytes from the MAC through the GMII/RGMII interface and performs generation of continuous code-groups through 4D-PAM5 coding technology. These code groups are passed through a waveform-shaping filter to minimize EMI effect, and are transmitted onto the 4-pair CAT5 cable at 125MBaud/s through a D/A converter.

6.1.2. **MII (100Mbps) Mode**

The transmitted 4-bit nibbles (TXD[3:0]) from the MAC, clocked at 25MHz (TXC), are converted into 5B symbol code through 4B/5B coding technology, then through scrambling and serializing, are converted to 125MHz NRZ and NRZI signals. After that, the NRZI signals are passed to the MLT3 encoder, then to the D/A converter and transmitted onto the media.

6.1.3. **MII (10Mbps) Mode**

The transmit 4-bit nibbles (TXD[3:0]) from the MAC, clocked at 2.5MHz (TXC), are serialized into 10Mbps serial data. The 10Mbps serial data is converted into a Manchester-encoded data stream and is transmitted onto the media by the D/A converter.

6.2. Receiver

6.2.1. GMII/RGMII (1000Mbps) Mode

Input signals from the media first pass through the on-chip sophisticated hybrid circuit to subtract the transmitted signal from the input signal for effective reduction of near-end echo. Afterwards, the received signal is processed with state-of-the-art technology, such as adaptive equalization, BLW (Baseline Wander) correction, cross-talk cancellation, echo cancellation, timing recovery, error correction, and 4D-PAM5 decoding. Then, the 8-bit-wide data is recovered and is sent to the GMII/RGMII interface at a clock speed of 125MHz. The Rx MAC retrieves the packet data from the receive GMII/RGMII interface and sends it to the Rx Buffer Manager.

6.2.2. MII (100Mbps) Mode

The MLT3 signal is processed with an ADC, equalizer, BLW (Baseline Wander) correction, timing recovery, MLT3 and NRZI decoder, descrambler, 4B/5B decoder, and is then presented to the MII interface in 4-bit-wide nibbles at a clock speed of 25MHz.

6.2.3. MII (10Mbps) Mode

The received differential signal is converted into a Manchester-encoded stream first. Next, the stream is processed with a Manchester decoder, and is de-serialized into 4-bit-wide nibbles. The 4-bit nibbles are presented to the MII interface at a clock speed of 2.5MHz.

6.3. Energy Efficient Ethernet (EEE)

The RTL8211E/RTL8211EG supports IEEE 802.3az Draft 3.2, also known as Energy Efficient Ethernet (EEE), at 10Mbps, 100Mbps, and 1000Mbps. It provides a protocol to coordinate transitions to/from a lower power consumption level (Low Power Idle mode) based on link utilization. When no packets are being transmitted, the system goes to Low Power Idle mode to save power. Once packets need to be transmitted, the system returns to normal mode, and does this without changing the link status and without dropping/corrupting frames.

To save power, when the system is in Low Power Idle mode, most of the circuits are disabled, however, the transition time to/from Low Power Idle mode is kept small enough to be transparent to upper layer protocols and applications.

EEE also specifies a negotiation method to enable link partners to determine whether EEE is supported and to select the best set of parameters common to both devices.

Refer to <http://ieee802.org/3/interims/index.html> for more details.

6.4. Wake-On-LAN (WOL)

The RTL8211E/RTL8211EG can monitor the network for a Wakeup Frame or a Magic Packet, and notify the system via the PME (Power Management Event) pin when such a packet or event occurs. The system can then be restored to a normal state to process incoming jobs. The PME pin needs to be connected with a 4.7k-ohm resistor and pulled up to 3.3V or 5V. When the Wakeup Frame or a Magic Packet is sent to the PHY, the PME pin will be set low to notify the system to wake up. Refer to the WOL application note for details.

Magic Packet Wakeup occurs only when the following conditions are met:

- The destination address of the received Magic Packet is acceptable to the RTL8211E/RTL8211EG, e.g., a broadcast, multicast, or unicast packet addressed to the current RTL8211E/RTL8211EG.
- The received Magic Packet does not contain a CRC error.
- The Magic Packet pattern matches; i.e., $6 * FFh + MISC$ (can be none) + $16 * DID$ (Destination ID) in any part of a valid Ethernet packet.

A Wakeup Frame event occurs only when the following conditions are met:

- The destination address of the received Wakeup Frame is acceptable to the RTL8211E/RTL8211EG, e.g., a broadcast, multicast, or unicast address to the current RTL8211E/RTL8211EG.
- The received Wakeup Frame does not contain a CRC error.
- The 16-bit CRC* of the received Wakeup Frame matches the 16-bit CRC of the sample Wakeup Frame pattern given by the local machine's OS. Or, the RTL8211E/RTL8211EG is configured to allow direct packet wakeup, e.g., a broadcast, multicast, or unicast network packet.

Note: 16-bit CRC: The RTL8211E/RTL8211EG supports eight long wakeup frames (covering 128 mask bytes from offset 0 to 127 of any incoming network packet).

6.5. MDI Interface

This interface consists of four signal pairs; MDI0, MDI1, MDI2, and MDI3. Each signal pair consists of two bi-directional pins that can transmit and receive at the same time. The MDI interface has internal termination resistors to reduce BOM cost and PCB complexity. For 1000Base-T, all four pairs are used in both directions at the same time. For 10/100 links and during auto-negotiation, only pairs A and B are used.

6.6. Hardware Configuration

The operation speed, interface mode, and PHY address can be set by the CONFIG pins. The respective value mapping of CONFIG with the configurable vector is listed in Table 12. To set the CONFIG pins, an external pull-high or pull-low via resistor is required.

Table 12. CONFIG Pins vs. Configuration Register

RTL8211E Pin	RTL8211EG Pin	Pin Name
LED0	LED0	PHYAD[0]
LED1	LED1	PHYAD[1]
RXCTL	RXDV	PHYAD[2]
RXD2	RXD7	AN[0]
RXD3	RXER	AN[1]
-	COL	COL/Mode
LED2	RXD6	RX Delay
RXD1	RXD5	TX Delay

Table 13. Configuration Register Definition

Configuration	Description
PHYAD[2:0]	PHY Address. PHYAD sets the PHY address for the device. <i>Note: PHYAD[:]=0 can support all PHY addresses. It can automatically remember the first MAC address.</i>
AN[1:0]	Auto-Negotiation (NWay) Configuration. AN[1:0] controls the Auto-Negotiation speed and duplex settings. 00: 10Base-T Full/Half Duplex 01: 100Base-TX Half Duplex; 10Base-T Full/Half Duplex 10: 100Base-TX Full/Half Duplex; 10Base-T Full/Half Duplex 11: NWay. Advertise all capabilities (10/1000Base-T; 100Base-TX Full/Half Duplex)
COL/Mode	Interface Mode Select. 0: MII/GMII (via 4.7k-ohm to GND) 1: RGMII (via 4.7k-ohm to 3.3V) <i>Note: MODE specifies the RTL8211EG operating mode.</i>

6.7. LED and PHY Address Configuration

In order to reduce the pin count on the RTL8211E/RTL8211EG, the LED pins are duplexed with the PHY address pins. As the PHYAD strap options share the LED output pins, the external combinations required for strapping and LED usage must be considered in order to avoid contention. Specifically, when the LED outputs are used to drive LEDs directly, the active state of each output driver is dependent on the logic level sampled by the corresponding PHYAD input upon power-up/reset. For example, as Figure 5 (left-side) shows, if a given PHYAD input is resistively pulled high then the corresponding output will be configured as an active low driver. On the right side, we can see that if a given PHYAD input is resistively pulled low then the corresponding output will be configured as an active high driver. The PHY address configuration pins should not be connected to GND or VCC directly, but must be pulled high or low through a resistor (e.g., 4.7K Ω). If no LED indications are needed, the components of the LED path (LED+510 Ω) can be removed.

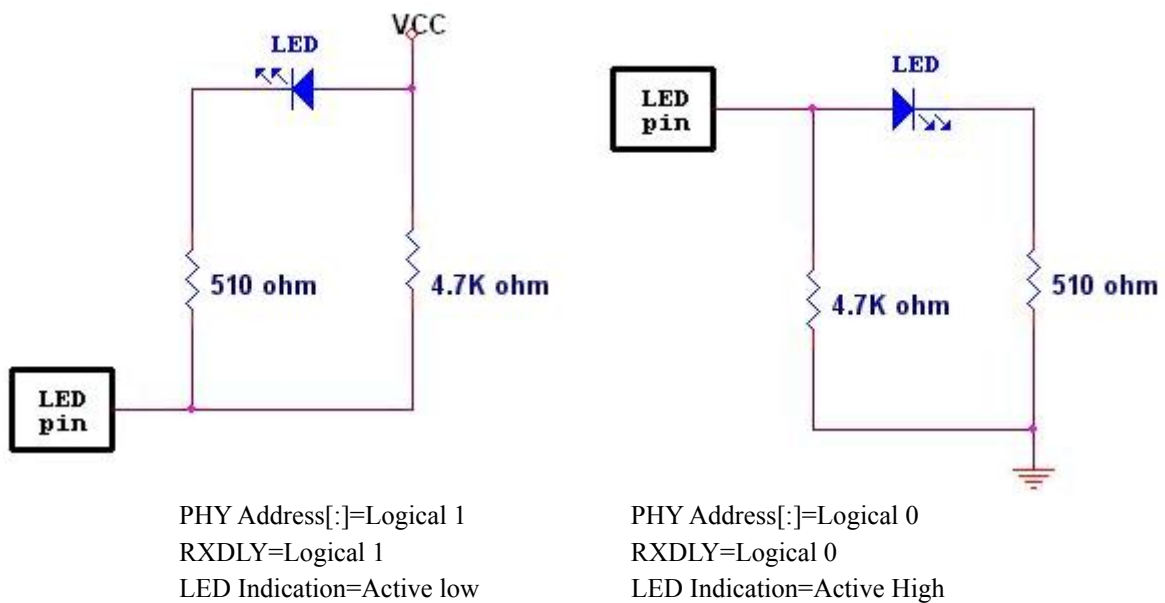


Figure 5. LED and PHY Address Configuration

6.8. Green Ethernet (1000/100Mbps Mode Only)

6.8.1. Cable Length Power Saving

In 1000/100Mbps mode the RTL8211E/RTL8211EG provides dynamic detection of cable length and dynamic adjustment of power required for the detected cable length. This feature provides high performance with minimum power consumption.

6.8.2. Register Setting

Follow the register settings below to enable Green Ethernet:

Reg31 write 0x0003 (page3)

Reg25 write 0x3247

Reg31 write 0x0005 (page5)

Reg1 write 0x0280

Reg31 write 0x0000 (page0)

Follow the register settings below to disable Green Ethernet:

Reg31 write 0x0003 (page3)

Reg25 write 0x3246

Reg31 write 0x0000 (page0)

6.9. MAC/PHY Interface

The RTL8211E supports industry standards and is suitable for most off-the-shelf MACs with a RGMII interface.

The RTL8211EG supports industry standards and is suitable for most off-the-shelf MACs with GMII and RGMII interfaces.

6.9.1. MII

In 100Base-TX and 10Base-T modes (MII mode is selected), TXC and RXC sources are 25MHz and 2.5MHz respectively. TXC and RXC will always be generated by the PHY. TXD[3:0] and RXD[3:0] signals are used for data transitions.

6.9.2. GMII

In 1000Base-T mode (GMII interface is selected), a 125MHz transmit clock is expected on GTXCLK. TXCLK sources 25MHz or 2.5MHz clock depending on the register setting. RXCLK sources the 125MHz receive clock.

6.9.3. RGMII

In 1000Base-T mode (RGMII interface is selected), TXC and RXC sources are 125MHz. TXC will always be generated by the MAC and RXC will always be generated by the PHY. TXD[3:0] and RXD[3:0] signals are used for data transitions on rising edge and on falling edge of clock.

6.9.4. Management Interface

The management interface provides access to the internal registers through the MDC and MDIO pins as described in IEEE 802.3u section 22. The MDC signal, provided by the MAC, is the management data clock reference to the MDIO signal. The MDIO is the management data input/output and is a bi-directional signal that runs synchronously to MDC. The MDIO pin needs a 1.5k Ohm pull-up resistor to maintain the MDIO high during idle and turnaround.

Preamble suppression is the default setting of the RTL8211E/RTL8211EG after power-on. However, there still must be at least one idle bit between operations.

Up to 32bits, the RTL8211E/RTL8211EG can share the same MDIO line. In switch/router applications, each port should be assigned a unique address during the hardware reset sequence, and it can only be addressed via that unique PHY address. For detailed information on the RTL8211E/RTL8211EG management registers, see section 7 Register Descriptions, page 29.

Table 14. Typical MDIO Frame Format

Management Serial Protocol	<idle><start><op code><PHY addr.><reg. addr.><turnaround><data><idle>
Read	<idle><01><10><AAAAA><RRRRR><Z0><xxxx xxxx xxxx xxxx><idle>
Write	<idle><01><01><AAAAA><RRRRR><10><xxxx xxxx xxxx xxxx><idle>

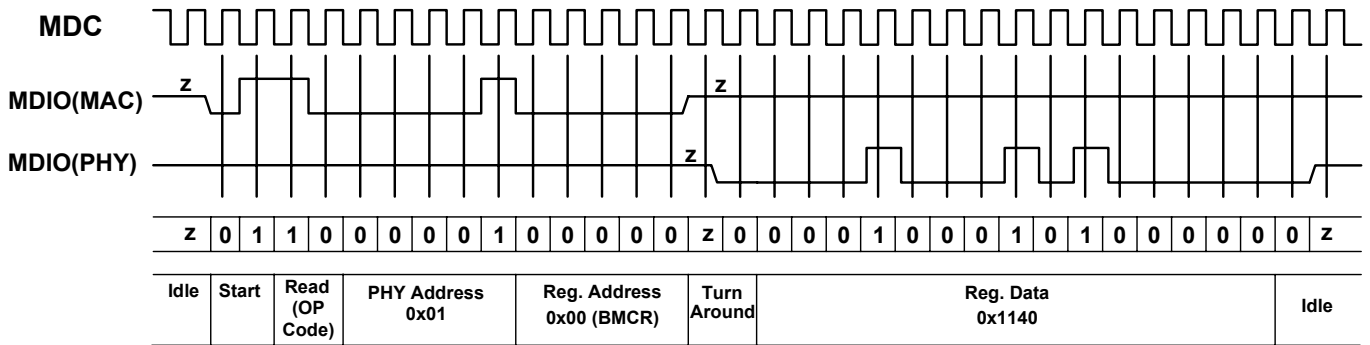


Figure 6. Typical MDC/MDIO Read Timing

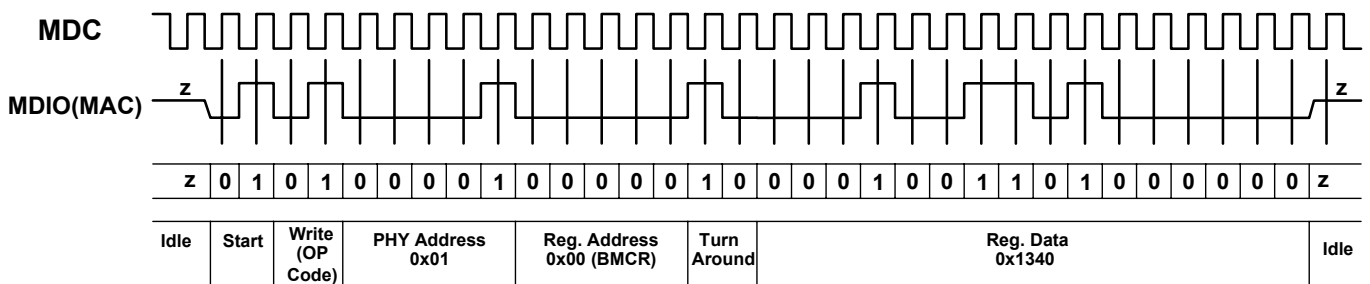


Figure 7. Typical MDC/MDIO Write Timing

6.9.5. Access to Extension Page (ExtPage)

Set MDIO commands as shown below to switch to the Extension Page (ExtPage) 0xXY (in Hex).

1. Set Register 31 Data=0x0007 (set to Extension Page)
2. Set Register 30 Data=0x00XY (Extension Page XY)
3. Set the target Register Data
4. Set Register 31 Data=0x0000 (switch to Page 0)

6.9.6. Access to MDIO Manageable Device (MMD)

The MDIO Manageable Device (MMD) is an extension to the management interface that provides the ability to access more device registers while still retaining logical compatibility with the MDIO interface, defined in section 7.1 Register Mapping and Definitions, page 29. Access to MMD configuration is provided via Registers 13 and 14.

MMD Read/Write Operation

1. Write Function field to 00 (address mode) and DEVAD field to the device address value for the desired MMD (Register 13).
2. Write the desired address value to the MMD's address register (Register 14).
3. Write Function field to 01 (data mode; no post increment) and DEVAD field to the same device address for the desired MMD (Register 13).
4. Read: Go to step 5. Write: Go to step 6.
5. Read the content of the selected register in MMD (Register 14).
6. Write the content of the selected register in MMD (Register 14).

6.10. Auto-Negotiation

Auto-Negotiation is a mechanism to determine the fastest connection between two link partners. For copper media applications, it was introduced in IEEE 802.3u for Ethernet and Fast Ethernet, and then in IEEE 802.3ab to address extended functions for Gigabit Ethernet. It performs the following:

- Auto-Negotiation Priority Resolution
- Auto-Negotiation Master/Slave Resolution
- Auto-Negotiation PAUSE/ASYMMETRIC PAUSE Resolution
- Crossover Detection & Auto-Correction Resolution

Upon de-assertion of a hardware reset, the RTL8211E/RTL8211EG can be configured to have auto-negotiation enabled, or be set to operate in 10Base-T, 100Base-TX, or 1000Base-T mode via the CONFIG pins (see section 6.6 Hardware Configuration, page 15).

The auto-negotiation process is initiated automatically upon any of the following:

- Power-up
- Hardware reset
- Software reset (register 0.15)
- Restart auto-negotiation (register 0.9)
- Transition from power down to power up (register 0.11)
- Entering the link fail state

Table 15. 1000Base-T Base and Next Pages Bit Assignments

Bit	Name	Bit Description	Register Location
Base Page			
D15	NP	Next Page. 1: Indicates that Next Pages follow 0: Indicates that no Next Pages follow	-
D14	Ack	Acknowledge. 1: Indicates that a device has successfully received its link partner's Link Code Word (LCW)	-
D13	RF	Remote Fault. 1: Indicates to its link partner that a device has encountered a fault condition	-
D[12:5]	A[7:0]	Technology Ability Field. Indicates to its link partner the supported technologies specific to the selector field value.	Register 4.[12:5] Table 25, page 33.
D[4:0]	S[4:0]	Selector Field. Always 00001. Indicates to its link partner that it is an IEEE 802.3 device.	Register 4.[4:0] Table 25, page 33.
PAGE 0 (Message Next Page)			
M15	NP	Next Page. 1: Indicates that Next Pages follow 0: Indicates that no Next Pages follow	-
M14	Ack	Acknowledge. 1: Indicates that a device has successfully received its link partner's Link Code Word (LCW)	-
M13	MP	Message Page. 1: Indicates to its link partner that this is a message page, not an unformatted page.	-
M12	Ack2	Acknowledge 2. 1: Indicates to its link partner that a device has the ability to comply with the message.	-
M11	T	Toggle. Used by the NWay arbitration function to ensure synchronization with its link partner during Next Page exchange.	-
M[10:0]	-	1000Base-T Message Code. Always 8.	-
PAGE 1 (Unformatted Next Page)			
U15	NP	Next Page. 1: Indicates that Next Pages follow 0: Indicates that no Next Pages follow	-
U14	Ack	Acknowledge. 1: Indicates that a device has successfully received its link partner's Link Code Word (LCW)	-
U13	MP	Message Page. 1: Indicates to its link partner that this is a message page, not an unformatted page.	-

Bit	Name	Bit Description	Register Location
U12	Ack2	Acknowledge 2. 1: Indicates to its link partner that a device has the ability to comply with the message.	-
U11	T	Toggle. Used by the NWay arbitration function to ensure synchronization with its link partner during Next Page exchange.	-
U[10:5]	-	Reserved. Transmit as 0	-
U4	-	1000Base-T Half Duplex. 1: Half duplex 0: No half duplex	RGMI register 9.8 (GBCR) Table 30, page 36.
U3	-	1000Base-T Full Duplex. 1: Full duplex 0: No full duplex	RGMI register 9.8 (GBCR) Table 30, page 36.
U2	-	1000Base-T Port Type Bit. 1: Multi-port device 0: Single-port device	RGMI register 9.8 (GBCR) Table 30, page 36.
U1	-	1000Base-T Master-Slave Manual Configuration Value. 1: Master 0: Slave This bit is ignored if bit 9.12=0	RGMI register 9.8 (GBCR) Table 30, page 36.
U0	-	1000Base-T Master-Slave Manual Configuration Enable. 1: Manual Configuration Enable This bit is intended to be used for manual selection in Master-Slave mode, and is to be used in conjunction with bit 9.11	RGMI register 9.8 (GBCR) Table 30, page 36.
PAGE 2 (Unformatted Next Page)			
U15	NP	Next Page. 1: Indicates that Next Pages follow 0: Indicates that no Next Pages follow	-
U14	Ack	Acknowledge. 1: Indicates that a device has successfully received its link partner's Link Code Word (LCW)	-
U13	MP	Message Page. 1: Indicates to its link partner that this is a message page, not an unformatted page	-
U12	Ack2	Acknowledge 2. 1: Indicates to its link partner that a device has the ability to comply with the message	-
U11	T	Toggle. Used by the NWay arbitration function to ensure synchronization with its link partner during Next Page exchange.	-
U[10:0]	-	1000Base-T Master-Slave Seed Bit[10:0]	Master-Slave Seed Value SB[10:0]

6.10.1. Auto-Negotiation Priority Resolution

Upon the start of auto-negotiation, to advertise its capabilities each station transmits a 16-bit packet called a Link Code Word (LCW), within a burst of 17 to 33 Fast Link Pulses (FLP). A device capable of auto-negotiation transmits and receives the FLPs. The receiver must identify three identical LCWs before the information is authenticated and used in the arbitration process. The devices decode the base LCW and select capabilities with the highest common denominator supported by both devices.

To advertise 1000Base-T capability, both link partners, sharing the same link medium, should engage in Next Page (1000Base-T Message Page, Unformatted Page 1, and Unformatted Page 2) exchange.

Auto-negotiation ensures that the highest priority protocol will be selected as the link speed based on the following priorities advertised through the Link Code Word (LCW) exchange. Refer to IEEE 802.3 Clause 28 for detailed information.

1. 1000Base-T Full Duplex (highest priority)
2. 1000Base-T Half Duplex
3. 100Base-TX Full Duplex
4. 100Base-TX Half Duplex
5. 10Base-T Full Duplex
6. 10Base-T Half Duplex (lowest priority)

6.10.2. Auto-Negotiation Master/Slave Resolution

To establish a valid 1000Base-T link, the Master/Slave mode of both link partners should be resolved through the auto-negotiation process:

- Master Priority
 - Multi-port > Single-port
 - Manual > Non-manual
- Determination of Master/Slave configuration from LCW
 - Manual_MASTER=U0*U1
 - Manual_SLAVE=U0*!U1
 - Single-port device=!U0*!U2
 - Multi-port device=!U0*U2

Where: U0 is bit 0 of the Unformatted Page 1
U1 is bit 1 of the Unformatted Page 1
U2 is bit 2 of the Unformatted Page 1
- Where there are two stations with the same configuration, the one with higher Master-Slave seed SB[10:0] in the unformatted page 2 shall become Master.
- Master-Slave configuration process resolution:
 - Successful: Bit 10.15 Master-Slave Configuration Fault is set to logical 0, and bit 10.14 is set to logical 1 for Master resolution, or set to logical 0 for Slave resolution.
 - Unsuccessful: Auto-Negotiation restarts.
 - Fault detect: Bit 10.15 is set to logical 1 to indicate that a configuration fault has been detected. Auto-Negotiation restarts automatically. This happens when both stations are set to manual Master mode or manual Slave mode, or after seven attempts to configure the Master-Slave relationship through the seed method has failed.

6.10.3. Auto-Negotiation PAUSE/ASYMMETRIC PAUSE Resolution

Auto-negotiation is also used to determine the flow control capability between link partners. Flow control is a mechanism that can force a busy transmitting link partner to stop transmitting in a full duplex environment by sending special MAC control frames. In IEEE 802.3u, a PAUSE control frame had already been defined. However, in IEEE 802.3ab, a new ASY-PAUSE control frame was defined; if the MAC can only generate PAUSE frames but is not able to respond to PAUSE frames generated by the link partner, then it is called ASYMMETRIC PAUSE.

PAUSE/ASYMMETRIC PAUSE capability can be configured by setting the ANAR bits 10 and 11 (Table 25, page 33). Link partner PAUSE capabilities can be determined from ANLPAR bits 10 and 11 (Table 26, page 34). A PHY layer device such as the RTL8211E/RTL8211EG is not directly involved in PAUSE resolution, but simply advertises and reports PAUSE capabilities during the Auto-Negotiation process. The MAC is responsible for final PAUSE/ASYMMETRIC PAUSE resolution after a link is established, and is responsible for correct flow control actions thereafter.

6.11. Crossover Detection and Auto-Correction

Ethernet needs a crossover mechanism between both link partners to cross the transmit signal to the receiver when the medium is twisted-pair cable (e.g., CAT.3 or CAT.5 UTP). Crossover Detection & Auto-Correction Configuration eliminates the need for crossover cables between devices, such as two PC's connected to each other with a CAT.3 or CAT.5 Ethernet cable. The basic concept is to assume the initial default setting is MDI mode, and then check the link status. If no link is established after a certain time, change to MDI Crossover mode and repeat the process until a link is established. An 11-bit pseudo-random timer is applied to decide the mode change time interval.

Crossover Detection & Auto-Correction is not a part of the Auto-Negotiation process, but it utilizes the process to exchange the MDI/MDI Crossover configuration. If the RTL8211E/RTL8211EG is configured to only operate in 100Base-TX or only in 10Base-T mode, then Auto-Negotiation is disabled only if the Crossover Detection & Auto-Correction function is also disabled. If Crossover Detection & Auto-Correction are enabled, then Auto-Negotiation is enabled and the RTL8211E/RTL8211EG advertises only 100Base-TX mode or 10Base-T mode. If the speed of operation is configured manually and Auto-Negotiation is still enabled because the Crossover Detection & Auto-Correction function is enabled, then the duplex advertised is as follows:

1. If CONFIG is set to half duplex, then only half duplex is advertised.
2. If CONFIG is set to full duplex, then both full and half duplex are advertised.

If the user wishes to advertise only full duplex at a particular speed with the Crossover Detection & Auto-Correction function enabled, then Auto-Negotiation should be enabled (register 0.12) with the appropriate advertising capabilities set in registers 4 or 9. The Crossover Detection & Auto-Correction function may be enabled/disabled by setting (register 16.6) manually.

After initial configuration following a hardware reset, Auto-Negotiation can be enabled and disabled via register 0.12, speed via registers 0.13, 0.6, and duplex via register 0.8. The abilities that are advertised can be changed via registers 4 and 9. Changes to registers 0.12, 0.13, 0.6, and 0.8 do not take effect unless at least one of the following events occurs:

- Software reset (register 0.15)
- Restart of Auto-Negotiation (register 0.9)
- Transition from power-down to power-up (register 0.11)

Registers 4 and 9 are internally latched once each time Auto-Negotiation enters the ABILITY DETECT state in the arbitration state machine (IEEE 802.3). Hence a write into register 4 or 9 has no effect once the RTL8211E/RTL8211EG begins to transmit Fast Link Pulses.

Register 7 is treated in a similar manner as 4 and 9 during additional Next Page exchanges. Once the RTL8211E/RTL8211EG completes Auto-Negotiation, it updates the various statuses in registers 1, 5, 6, and 10. The speed, duplex, page received, and Auto-Negotiation completed statuses are also available in registers 17 and 19.

6.12. LED Configuration

The RTL8211E/RTL8211EG supports three LED pins, suitable for multiple types of applications that can directly drive the LEDs. The output of these pins is determined by setting the corresponding bits in extension Page44 Register 28 and Register 26. The functionality of the RTL8211E/RTL8211EG LEDs is shown in Table 16.

Table 16. LED Default Definitions

Pin	Description
LED0	Blinking=Transmitting or Receiving
LED1	Low=Link Up (Any speed) High=Link Down (Any speed)
LED2	Low=Link Up (Any speed) High=Link Down (Any speed) Blinking=Transmitting or Receiving

Note: When in EEE mode, blinking duration is 400ms ON and 2 seconds OFF.

The RTL8211E/RTL8211EG LED pins can be customized from extension Page 44 Register 28 and Register 26. To change the register page, see note (below) and Table 17. There are 16 configuration types (see Table 18, page 28).

Note: To switch to extension Page44, set Register 31 Data=0x0007 (set to extension page). Set Register 30 Data=0x002c (extension Page44). After LED setting, switch to PHY's Page0 (Register 31 Data=0000).

Table 17. LED Register Table

	LINK Speed			Active (Tx/Rx)
	10Mbps	100Mbps	1000Mbps	
LED0	Reg28 Bit0	Reg28 Bit1	Reg28 Bit2	Reg26 Bit4
LED1	Reg28 Bit4	Reg28 Bit5	Reg28 Bit6	Reg26 Bit5
LED2	Reg28 Bit8	Reg28 Bit9	Reg28 Bit10	Reg26 Bit6

Table 18. LED Configuration Table

Pin	LINK Bit			Active (TX/RX) Bit	Description
	10	100	1000		
LED	0	0	0	0	N/A
	0	0	0	1	Active
	0	0	1	0	Link 1000
	0	0	1	1	Link 1000+Active
	0	1	0	0	Link 100
	0	1	0	1	Link 100+Active
	0	1	1	0	Link 100/1000
	0	1	1	1	Link 100/1000+Active
	1	0	0	0	Link 10
	1	0	0	1	Link 10+Active
	1	0	1	0	Link 10/1000
	1	0	1	1	Link 10/1000+Active
	1	1	0	0	Link 10/100
	1	1	0	1	Link 10/100+Active
	1	1	1	0	Link 10/100/1000
	1	1	1	1	Link 10/100/1000+Active

6.13. Polarity Correction

The RTL8211E/RTL8211EG automatically corrects polarity errors on the receive pairs in 1000Base-T and 10Base-T modes. In 100Base-TX mode polarity is irrelevant. In 1000Base-T mode, receive polarity errors are automatically corrected based on the sequence of idle symbols. Once the descrambler is locked, the polarity is also locked on all pairs. The polarity becomes unlocked only when the receiver loses lock. In 10Base-T mode, polarity errors are corrected based on the detection of validly spaced link pulses. The detection begins during the MDI crossover detection phase and locks when the 10Base-T link is up. The polarity becomes unlocked when the link is down.

6.14. Power

The RTL8211E/RTL8211EG implements a voltage regulator to generate operating power. The system vendor needs to supply a 3.3V, 1A steady power source. The RTL8211E/RTL8211EG converts the 3.3V steady power source to 1.05V via a switching regulator.

Another possible implementation is to use an external regulator to generate 1.0V. Be sure that the regulator meets the required current rate.

The RTL8211E/RTL8211EG implements an option for the GMII/RGMII power pins. The standard I/O voltage of the GMII/RGMII interface is 3.3V, with support for 2.5V to lower EMI. The 2.5V power source for RGMII is from an external regulator.

7. Register Descriptions

7.1. Register Mapping and Definitions

Table 19. Register Mapping and Definitions

Offset	Access	Name	Description
0	RW	BMCR	Basic Mode Control Register.
1	RO	BMSR	Basic Mode Status Register.
2	RO	PHYID1	PHY Identifier Register 1.
3	RO	PHYID2	PHY Identifier Register 2.
4	RW	ANAR	Auto-Negotiation Advertising Register.
5	RW	ANLPAR	Auto-Negotiation Link Partner Ability Register.
6	RW	ANER	Auto-Negotiation Expansion Register.
7	RW	ANNPTR	Auto-Negotiation Next Page Transmit Register.
8	RW	ANNPRR	Auto-Negotiation Next Page Receive Register.
9	RW	GBCR	1000Base-T Control Register.
10	RO	GBSR	1000Base-T Status Register.
11~12	RO	RSVD	Reserved.
13	WO	MACR	MMD Access Control Register
14	RW	MAADR	MMD Access Address Data Register
15	RO	GBESR	1000Base-T Extended Status Register.
16	RW	PHYCR	PHY Specific Control Register.
17	RO	PHYSR	PHY Specific Status Register.
18	RW	INER	Interrupt Enable Register.
19	RO	INSR	Interrupt Status Register.
20~23	RW	RSVD	Reserved.
24	RO	RXERC	Receive Error Counter.
25~26	RW	RSVD	Reserved.
27~28	RO	RSVD	Reserved.
29~30	RW	RSVD	Reserved.
31	RW	PAGSEL	Page Select Register.

Note: To switch to extension Page44, set Register 31 Data=0x0007 (set to extension page). Set Register 30 Data=0x002c (extension Page44). After LED setting, switch to the PHY's Page0 (Register 31 Data=0000).

7.2. MMD Register Mapping and Definition

Table 20. MMD Register Mapping and Definition

Device	Offset	Access	Name	Description
3	0	RW	PC1R	PCS Control 1 Register
3	1	RW	PS1R	PCS Status 1 Register
3	20	RO	EEEER	EEE Capability Register
3	22	RC	EEEWER	EEE Wake Error Register
7	60	RW	EEEAR	EEE Advertisement Register
7	61	RO	EEELPAR	EEE Link Partner Ability Register

7.3. Register Table

7.3.1. BMCR (Basic Mode Control Register, Address 0x00)

Table 21. BMCR (Basic Mode Control Register, Address 0x00)

Bit	Name	RW	Default	Description															
0.15	Reset	RW, SC ¹	0	Reset. 1: PHY reset 0: Normal operation															
0.14	Loopback	RW	0	Loopback Mode. 1: Enable PCS loopback mode 0: Disable PCS loopback mode															
0.13	Speed[0]	RW	0	Speed Select Bit 0. In forced mode, i.e., when Auto-Negotiation is disabled, bits 6 and 13 determine device speed selection. <table border="1" data-bbox="737 752 1417 943"> <thead> <tr> <th>Speed[1]</th> <th>Speed[0]</th> <th>Speed Enabled</th> </tr> </thead> <tbody> <tr> <td>1</td> <td>1</td> <td>Reserved</td> </tr> <tr> <td>1</td> <td>0</td> <td>1000Mbps</td> </tr> <tr> <td>0</td> <td>1</td> <td>100Mbps</td> </tr> <tr> <td>0</td> <td>0</td> <td>10Mbps</td> </tr> </tbody> </table>	Speed[1]	Speed[0]	Speed Enabled	1	1	Reserved	1	0	1000Mbps	0	1	100Mbps	0	0	10Mbps
Speed[1]	Speed[0]	Speed Enabled																	
1	1	Reserved																	
1	0	1000Mbps																	
0	1	100Mbps																	
0	0	10Mbps																	
0.12	ANE	RW	1	Auto-Negotiation Enable. 1: Enable Auto-Negotiation 0: Disable Auto-Negotiation															
0.11	PWD	RW	0	Power Down. 1: Power down (only Management Interface and logic active; link is down) 0: Normal operation															
0.10	Isolate	RW	0	Isolate. 1: GMII/RGMII interface is isolated; the serial management interface (MDC, MDIO) is still active. When this bit is asserted, the RTL8211E/RTL8211EG ignores TXD[7:0], and TXCLT inputs, and presents a high impedance on TXC, RXC, RXCLT, RXD[7:0]. 0: Normal operation															
0.9	Restart_AN	RW, SC	0	Restart Auto-Negotiation. 1: Restart Auto-Negotiation 0: Normal operation															
0.8	Duplex	RW	1	Duplex Mode. 1: Full Duplex operation 0: Half Duplex operation This bit is valid only in force mode, i.e., NWay is disabled.															
0.7	Collision Test	RW	0	Collision Test. 1: Collision test enabled 0: Normal operation When set, this bit will cause the COL signal to be asserted in response to the assertion of TXEN within 512-bit times. The COL signal will be de-asserted within 4-bit times in response to the de-assertion of TXEN.															

Bit	Name	RW	Default	Description
0.6	Speed[1]	RW	1	Speed Select Bit 1. Refer to bit 0.13.
0.5:0	RSVD	RO	000000	Reserved.

Note 1: SC: Self-cleared

Note 2: The power-on duplex, speed, and ANE values take on the values set by external pins AN[3:0] on hardware reset only. A write to these registers has no effect unless any one of the following also occurs: Software reset (0.15) is asserted, Restart_AN (0.9) is asserted, or PWD (0.11) transitions from power down to normal operation.

Note 3: When the RTL8211E/RTL8211EG is switched from power down to normal operation, a software reset and restart auto-negotiation is performed, even if bits Reset (0.15) and Restart_AN (0.9) are not set by the user.

Note 4: Auto-Negotiation is enabled when speed is set to 1000Base-T. Crossover Detection & Auto-Correction takes precedence over Auto-Negotiation disable (0.12=0). If ANE is disabled, speed and duplex capabilities are advertised by 0.13, 0.6, and 0.8. Otherwise, register 4.8:5 and 9.9:8 take effect.

Note 5: Auto-Negotiation automatically restarts after hardware or software reset regardless of whether or not the restart bit (0.9) is set.

7.3.2. BMSR (Basic Mode Status Register, Address 0x01)

Table 22. BMSR (Basic Mode Status Register, Address 0x01)

Bit	Name	RW	Default	Description
1.15	100Base-T4	RO	0	100Base-T4 Capability. The RTL8211E/RTL8211EG does not support 100Base-T4 mode. This bit should always be 0.
1.14	100Base-TX (full)	RO	1	100Base-TX Full Duplex Capability. 1: Device is able to perform 100Base-TX in full duplex mode 0: Device is not able to perform 100Base-TX in full duplex mode
1.13	100Base-TX (half)	RO	1	100Base-TX Half Duplex Capability. 1: Device is able to perform 100Base-TX in half duplex mode 0: Device is not able to perform 100Base-TX in half duplex mode
1.12	10Base-T (full)	RO	1	10Base-T Full Duplex Capability. 1: Device is able to perform 10Base-T in full duplex mode. 0: Device is not able to perform 10Base-T in full duplex mode.
1.11	10Base-T (half)	RO	1	10Base-T Half Duplex Capability. 1: Device is able to perform 10Base-T in half duplex mode 0: Device is not able to perform 10Base-T in half duplex mode
1.10	10Base-T2 (full)	RO	0	10Base-T2 Full Duplex Capability. The RTL8211E/RTL8211EG does not support 10Base-T2 mode and this bit should always be 0.
1.9	10Base-T2 (half)	RO	0	10Base-T2 Half Duplex Capability. The RTL8211E/RTL8211EG does not support 10Base-T2 mode. This bit should always be 0.
1.8	1000Base-T Extended Status	RO	1	1000Base-T Extended Status Register. 1: Device supports Extended Status Register 0x0F (15) 0: Device does not support Extended Status Register 0x0F This register is read-only and is always set to 1.
1.7	RSVD	RO	0	Reserved.

Bit	Name	RW	Default	Description
1.6	Preamble Suppression	RO	1	Preamble Suppression Capability (Permanently On). The RTL8211E/RTL8211EG always accepts transactions with preamble suppressed.
1.5	Auto-Negotiation Complete	RO	0	Auto-Negotiation Complete. 1: Auto-Negotiation process complete, and contents of registers 5, 6, 8, and 10 are valid 0: Auto-Negotiation process not complete
1.4	Remote Fault	RC*	0	Remote Fault. 1: Remote fault condition detected (cleared on read or by reset). Indication or notification of remote fault from Link Partner 0: No remote fault condition detected
1.3	Auto-Negotiation Ability	RO	1	Auto Configured Link. 1: Device is able to perform Auto-Negotiation 0: Device is not able to perform Auto-Negotiation
1.2	Link Status	RO	0	Link Status. 1: Linked 0: Not Linked This register indicates whether the link was lost since the last read. For the current link status, either read this register twice or read register bit 17.10 Link Real Time.
1.1	Jabber Detect	RC	0	Jabber Detect. 1: Jabber condition detected 0: No Jabber occurred
1.0	Extended Capability	RO	1	1: Extended register capabilities, always 1

Note: RC: Read-cleared after read.

7.3.3. PHYID1 (PHY Identifier Register 1, Address 0x02)

Table 23. PHYID1 (PHY Identifier Register 1, Address 0x02)

Bit	Name	RW	Default	Description
2.15:0	OUI_MSB	RO	0000000000011100	Organizationally Unique Identifier Bit 3:18. Always 0000000000011100.

Note: Realtek OUI is 0x000732.

7.3.4. PHYID2 (PHY Identifier Register 2, Address 0x03)

Table 24. PHYID2 (PHY Identifier Register 2, Address 0x03)

Bit	Name	RW	Default	Description
3.15:10	OUI_LSB	RO	110010	Organizationally Unique Identifier Bit 19:24. Always 110010.
3.9:4	Model Number	RO	010001	Manufacture's Model Number
3.3:0	Revision Number	RO	0101	Revision Number

7.3.5. ANAR (Auto-Negotiation Advertising Register, Address 0x04)

Table 25. ANAR (Auto-Negotiation Advertising Register, Address 0x04)

Bit	Name	RW	Default	Description
4.15	NextPage	RW	0	1: Additional next pages exchange desired 0: No additional next pages exchange desired
4.14	RSVD	RO	0	Reserved.
4.13	Remote Fault	RW	0	1: Set Remote Fault bit 0: No remote fault detected
4.12	RSVD	RO	0	Reserved.
4.11	Asymmetric PAUSE	RW	0	1: Advertise support of asymmetric pause 0: No support of asymmetric pause
4.10	PAUSE	RW	0	1: Advertise support of pause frames 0: No support of pause frames
4.9	100Base-T4	RO	0	1: 100Base-T4 support 0: 100Base-T4 not supported
4.8	100Base-TX (Full)	RW	1	1: Advertise support of 100Base-TX full-duplex mode 0: Not advertised
4.7	100Base-TX (Half)	RW	1	1: Advertise support of 100Base-TX half-duplex mode 0: Not advertised
4.6	10Base-T (Full)	RW	1	1: Advertise support of 10Base-TX full-duplex mode 0: Not advertised
4.5	10Base-T (Half)	RW	1	1: Advertise support of 10Base-TX full-duplex mode 0: Not advertised
4.4:0	Selector Field	RO	00001	Indicates the RTL8211E/RTL8211EG supports IEEE 802.3

Note 1: The setting of Register 4 has no effect unless NWay is restarted or the link goes down.

Note 2: If 1000Base-T is advertised, then the required next pages are automatically transmitted. Register 4.15 should be set to 0 if no additional next pages are needed.

7.3.6. ANLPAR (Auto-Negotiation Link Partner Ability Register, Address 0x05)

Table 26. ANLPAR (Auto-Negotiation Link Partner Ability Register, Address 0x05)

Bit	Name	RW	Default	Description
5.15	Next Page	RO	0	Next Page Indication. Received Code Word Bit 15.
5.14	ACK	RO	0	Acknowledge. Received Code Word Bit 14.
5.13	Remote Fault	RO	0	Remote Fault indicated by Link Partner. Received Code Word Bit 13.
5.12	RSVD	RO	0	Reserved.
5.11:5	Technology Ability Field	RO	00000000	Received Code Word Bit 12:5.
5.4:0	Selector Field	RO	00000	Received Code Word Bit 4:0.

Note: Register 5 is not valid until the Auto-Negotiation complete bit 1.5 indicates completed.

7.3.7. ANER (Auto-Negotiation Expansion Register, Address 0x06)

Table 27. ANER (Auto-Negotiation Expansion Register, Address 0x06)

Bit	Name	RW	Default	Description
6.15:5	RSVD	RO	0x000	Reserved.
6.4	Parallel Detection Fault	RC	0	1: A fault has been detected via the Parallel Detection function 0: A fault has not been detected via the Parallel Detection function
6.3	Link Partner Next Pageable	RO	0	1: Link Partner supports Next Page exchange 0: Link Partner does not support Next Page exchange
6.2	Local Next Pageable	RO	1	1: Local Device is able to send Next Page Always 1.
6.1	Page Received	RC	0	1: A New Page (new LCW) has been received 0: A New Page has not been received
6.0	Link Partner Auto-Negotiation capable	RO	0	1: Link Partner supports Auto-Negotiation 0: Link Partner does not support Auto-Negotiation

Note: Register 6 is not valid until the Auto-Negotiation complete bit 1.5 indicates completed.

7.3.8. ANNPTR (Auto-Negotiation Next Page Transmit Register, Address 0x07)

Table 28. ANNPTR (Auto-Negotiation Next Page Transmit Register, Address 0x07)

Bit	Name	RW	Default	Description
7.15	Next Page	RW	0	Next Page Indication. 0: No more next pages to send 1: More next pages to send Transmit Code Word Bit 15.
7.14	RSVD	RO	0	Transmit Code Word Bit 14.
7.13	Message Page	RW	1	Message Page. 0: Unformatted Page 1: Message Page Transmit Code Word Bit 13.
7.12	Acknowledge 2	RW	0	Acknowledge2. 0: Local device has no ability to comply with the message received 1: Local device has the ability to comply with the message received Transmit Code Word Bit 12.
7.11	Toggle	RO	0	Toggle Bit. Transmit Code Word Bit 11.
7.10:0	Message/Unformatted Field	RW	0x001	Content of Message/Unformatted Page. Transmit Code Word Bit 10:0.

7.3.9. ANNPRR (Auto-Negotiation Next Page Receive Register, Address 0x08)

Table 29. ANNPRR (Auto-Negotiation Next Page Receive Register, Address 0x08)

Bit	Name	RW	Default	Description
8.15	Next Page	RO	0	Received Link Code Word Bit 15.
8.14	Acknowledge	RO	0	Received Link Code Word Bit 14.
8.13	Message Page	RO	0	Received Link Code Word Bit 13.
8.12	Acknowledge 2	RO	0	Received Link Code Word Bit 12.
8.11	Toggle	RO	0	Received Link Code Word Bit 11.
8.10:0	Message/Unformatted Field	RO	0x00	Received Link Code Word Bit 10:0.

Note: Register 8 is not valid until the Auto-Negotiation complete bit 1.5 indicates completed.

7.3.10. GBCR (1000Base-T Control Register, Address 0x09)

Table 30. GBCR (1000Base-T Control Register, Address 0x09)

Bit	Name	RW	Default	Description
9.15:13	Test Mode	RW	0	Test Mode Select. 000: Normal Mode 001: Test Mode 1 – Transmit Jitter Test 010: Test Mode 2 – Transmit Jitter Test (MASTER mode) 011: Test Mode 3 – Transmit Jitter Test (SLAVE mode) 100: Test Mode 4 – Transmit Distortion Test 101, 110, 111: Reserved
9.12	MASTER/SLAVE Manual Configuration Enable	RW	0	Enable Manual Master/Slave Configuration. 1: Manual MASTER/SLAVE configuration 0: Automatic MASTER/SLAVE
9.11	MASTER/SLAVE Configuration Value	RW	0	Advertise Master/Slave Configuration Value. 1: Manual configure as MASTER 0: Manual configure as SLAVE
9.10	Port Type	RW	0	Advertise Device Type Preference. 1: Prefer multi-port device (MASTER) 0: Prefer single port device (SLAVE)
9.9	1000Base-T Full Duplex	RW	1	Advertise 1000Base-T Full-Duplex Capability. 1: Advertise 0: Do not advertise
9.8	RSVD	RW	0	Reserved.
9.7:0	RSVD	RO	0	Reserved.

Note 1: Values set in register 9.12:9 have no effect unless Auto-Negotiation is restarted (Reg0.9) or the link goes down.

Note 2: Bits 9.11 and 9.10 are ignored when bit 9.12=0.

7.3.11. GBSR (1000Base-T Status Register, Address 0x0A)

Table 31. GBSR (1000Base-T Status Register, Address 0x0A)

Bit	Name	RW	Default	Description
10.15	MASTER/SLAVE Configuration Fault	RO, RC	0	Master/Slave Manual Configuration Fault Detected. 1: MASTER/SLAVE configuration fault detected 0: No MASTER/SLAVE configuration fault detected
10.14	MASTER/SLAVE Configuration Resolution	RO	0	Master/Slave Configuration Result. 1: Local PHY configuration resolved to MASTER 0: Local PHY configuration resolved to SLAVE
10.13	Local Receiver Status	RO	0	Local Receiver Status. 1: Local Receiver OK 0: Local Receiver Not OK
10.12	Remote Receiver Status	RO	0	Remote Receiver Status. 1: Remote Receiver OK 0: Remote Receiver Not OK
10.11	Link Partner 1000Base-T Full Duplex Capability	RO	0	Link Partner 1000Base-T Full Duplex Capability. 1: Link Partner is capable of 1000Base-T full duplex 0: Link Partner is not capable of 1000Base-T full duplex
10.10	Link Partner 1000Base-T Half Duplex Capability	RO	0	Link Partner 1000Base-T Half Duplex Capability. 1: Link Partner is capable of 1000Base-T half duplex 0: Link Partner is not capable of 1000Base-T half duplex
10.9:8	RSVD	RO	00	Reserved.
10.7:0	Idle Error Count	RO, RC	0x00	MSB of Idle Error Counter. The counter stops automatically when it reaches 0xff.

Note 1: Values set in register 10.11:10 are not valid until register 6.1 is set to 1.

Note 2: Register 10 is not valid until the Auto-Negotiation complete bit 1.5 indicates completed.

7.3.12. MACR (MMD Access Control Register, Address 0x0D)

Table 32. MACR (MMD Access Control Register, Address 0x0D)

Bit	Name	RW	Default	Description
13.15:14	Function	WO	0	00: Address 01: Data with no post increment 10: Data with post increment on reads and writes 11: Data with post increment on writes only
13.13:5	RSVD	RO	00000000	Reserved.
13.4:0	DEVAD	WO	0	Device Address.

Note 1: This register is used in conjunction with the MAADR (Register 14) to provide access to the MMD address space.

Note 2: If the MAADR accesses for address (Function=00), then it is directed to the address register within the MMD associated with the value in the DEVAD field.

Note 3: If the MAADR accesses for data (Function≠00), both the DEVAD field and MMD's address register direct the MAADR data accesses to the appropriate registers within the MMD.

7.3.13. MAADR (MMD Access Address Data Register, Address 0x0E)

Table 33. MAADR (MMD Access Address Data Register, Address 0x0E)

Bit	Name	RW	Default	Description
14.15:0	Address Data	RW	0x0000	14.15:14 = 00 → MMD DEVAD's address register 14.15:14 = 01, 10, or 11 → MMD DEVAD's data register as indicated by the contents of its address register

Note: This register is used in conjunction with the MACR (Register 13) to provide access to the MMD address space.

7.3.14. GBESR (1000Base-T Extended Status Register, Address 0x0F)

Table 34. GBESR (1000Base-T Extended Status Register, Address 0x0F)

Bit	Name	RW	Default	Description
15.15	1000Base-X FD	RO	0	0: Not 1000Base-X full duplex capable
15.14	1000Base-X HD	RO	0	0: Not 1000Base-X half duplex capable
15.13	1000Base-T FD	RO	1	1: 1000Base-T full duplex capable
15.12	1000Base-T HD	RO	1	1: 1000Base-T half duplex capable
15.11:0	RSVD	RO	0x000	Reserved.

7.3.15. PHYCR (PHY Specific Control Register, Address 0x10)

Table 35. PHYCR (PHY Specific Control Register, Address 0x10)

Bit	Name	RW	Default	Description
16.15	Disable RXC	RW	0	Disable RXC Clock Output
16.14:12	Select FPR Fail	RW	000	Select Signal for 'LPRFAIL' (10M Link Pulse Receive Status).
16.11	Assert CRS on Transmit	RW	0	1: Assert CRS on transmit 0: Never assert CRS on transmit
16.10	Force Link Good	RW	0	1: Force link good 0: Normal operation
16.9:8	RSVD	RW	01	Reserved.
16.7	Select Hcc	RW	0	0'b0: Select RX10M RTL circuit 1'b1: Select RX10M gate-level circuit
16.6	Enable Crossover	RW	1	1: Enable Auto-crossover mechanism
16.5	MDI Mode	RW	1	Used to Determine MDI/MDIX Mode when Disable Auto-Crossover. 0: MDI mode 1: MDIX mode
16.4	Disable CLK125	RW	0	1: CLK125 remains at logic Low 0: CLK125 Toggling Enabled
16.3:1	RSVD	RW	111	Reserved.
16.0	Disable Jabber	RW	0	1: Disable jabber function 0: Enable jabber function

7.3.16. PHYSR (PHY Specific Status Register, Address 0x11)

Table 36. PHYSR (PHY Specific Status Register, Address 0x11)

Bit	Name	RW	Default	Description
17.15:14	Speed	RO	01	Link Speed. 11: Reserved 10: 1000Mbps 01: 100Mbps 00: 10Mbps
17.13	Duplex	RO	0	Full/Half Duplex Mode. 1: Full duplex 0: Half duplex
17.12	Page Received	RC	0	New Page Received. 1: Page received 0: Page not received
17.11	Speed and Duplex Resolved	RO	0	Speed and Duplex Mode Resolved. 1: Resolved 0: Not resolved
17.10	Link (Real Time)	RO	0	Real Time Link Status. 1: Link OK 0: Link not OK
17.9:7	RSVD	RO	000	Reserved.
17.6	MDI Crossover Status	RO	0	MDI/MDI Crossover Status. 1: MDI Crossover 0: MDI
17.2:5	RSVD	RW	0000	Reserved.
17.1	pre_linkok	RO	0	Reflects Local Receiver is OK. 0: Receiver is not OK 1: Receiver is OK
17.0	Jabber (Real Time)	RO	0	Real Time Jabber Indication. 1: Jabber Indication 0: No jabber Indication

7.3.17. INER (Interrupt Enable Register, Address 0x12)

Table 37. INER (Interrupt Enable Register, Address 0x12)

Bit	Name	RW	Default	Description
18.15	Auto-Negotiation Error Interrupt	RW	1	1: Interrupt Enable 0: Interrupt Disable
18.14:13	RSVD	RW	0	Reserved.
18.12	Page Received Interrupt	RW	1	1: Interrupt Enable 0: Interrupt Disable
18.11	Auto-Negotiation Completed Interrupt	RW	1	1: Interrupt Enable 0: Interrupt Disable
18.10	Link Status Change Interrupt	RW	1	1: Interrupt Enable 0: Interrupt Disable
18.9	Symbol Error Interrupt	RW	1	1: Interrupt Enable 0: Interrupt Disable
18.8	False Carrier Interrupt	RW	1	1: Interrupt Enable 0: Interrupt Disable
18.7:1	RSVD	RW	0	Reserved.
18.0	Jabber Interrupt	RW	1	1: Interrupt Enable 0: Interrupt Disable

7.3.18. INSR (Interrupt Status Register, Address 0x13)

Table 38. INSR (Interrupt Status Register, Address 0x13)

Bit	Name	RW	Default	Description
19.15	Auto-Negotiation Error	RC	0	1: Auto-Negotiation Error 0: No Auto-Negotiation Error
19.14:13	RSVD	RC	0	Reserved.
19.12	Page Received	RC	0	1: Page (a new LCW) received 0: Page not received
19.11	Auto-Negotiation Completed	RC	0	1: Auto-Negotiation completed 0: Auto-Negotiation not completed
19.10	Link Status Change	RC	0	1: Link status changed 0: Link status not changed
19.9	Symbol Error	RC	0	1: Symbol error detected 0: No symbol error detected
19.8	False Carrier	RC	0	1: False carrier 0: No false carrier detected
19.7:1	RSVD	-	0	Reserved.
19.0	Jabber	RC	0	1: Jabber detected 0: No jabber detected

7.3.19. RXERC (Receive Error Counter, Address 0x18)

Table 39. RXERC (Receive Error Counter, Address 0x18)

Bit	Name	RW	Default	Description
24.15:0	Receive Error Count	RC	0x0000	Receive Error Count.

Note: The RXERC register is read-cleared after a read.

7.3.20. PAGSEL (Page Select Register, Address 0x1F)

Table 40. PAGSEL (Page Select Register, Address 0x1F)

Bit	Name	RW	Default	Description
31.15:3	RSVD	RW	0	Reserved.
31.2:0	Pagesel	RW	000	Page Select Signal. 000: Page 0 (default page) 001: Page 1 010: Page 2 011: Page 3 100: Page 4 101: Page 5 110: Page 6 111: Extension page

7.3.21. PC1R (PCS Control 1 Register, MMD Device 3, Address 0x00)

Table 41. PC1R (PCS Control 1 Register, MMD Device 3, Address 0x00)

Bit	Name	RW	Default	Description
3.0.15:11	RSVD	RW	0	Reserved.
3.0.10	Clock Stop Enable	RW	0	1: PHY stops RXC in LPI 0: RXC not stoppable
3.0.9:0	RSVD	RW	0	Reserved.

7.3.22. PS1R (PCS Status1 Register, MMD Device 3, Address 0x01)

Table 42. PS1R (PCS Status 1 Register, MMD Device 3, Address 0x01)

Bit	Name	RW	Default	Description
3.1.15:12	RSVD	RO	0	Reserved.
3.1.11	TX LPI Received	RO, LH	0	1: TX PCS has received LPI 0: LPI not received
3.1.10	RX LPI Received	RO, LH	0	1: RX PCS has received LPI 0: LPI not received
3.1.9	TX LPI Indication	RO	0	1: TX PCS is currently receiving LPI 0: TX PCS is not currently receiving LPI
3.1.8	RX LPI Indication	RO	0	1: RX PCS is currently receiving LPI 0: RX PCS is not currently receiving LPI
3.1.7	RSVD	RO	0	Reserved.
3.1.6	Clock Stop Capable	RO	1	1: MAC stops TXC in LPI 0: TXC not stoppable
3.1.5:0	RSVD	RO	0	Reserved.

7.3.23. EEECR (EEE Capability Register, MMD Device 3, Address 0x14)

Table 43. EEECR (EEE Capability Register, MMD Device 3, Address 0x14)

Bit	Name	RW	Default	Description
3.20.15:3	RSVD	RO	0	Reserved.
3.20.2	1000BASE-T EEE	RO	0	1: EEE is supported for 1000Base-T EEE 0: EEE is not supported for 1000Base-T EEE
3.20.1	100BASE-TX EEE	RO	0	1: EEE is supported for 100Base-TX EEE 0: EEE is not supported for 100Base-TX EEE
3.20.0	RSVD	RO	0	Reserved.

7.3.24. EEWER (EEE Wake Error Register, MMD Device 3, Address 0x16)

Table 44. EEWER (EEE Wake Error Register, MMD Device 3, Address 0x16)

Bit	Name	RW	Default	Description
3.22.15:0	EEE Wake Error Counter	RC	0	Used by PHY types that support EEE to count wake time faults where the PHY fails to complete its normal wake sequence within the time required for the specific PHY type .

7.3.25. EEEAR (EEE Advertisement Register, MMD Device 7, Address 0x3c)

Table 45. EEEAR (EEE Advertisement Register, MMD Device 7, Address 0x3c)

Bit	Name	RW	Default	Description
7.60.15:3	RSVD	RW	0	Reserved.
7.60.2	1000BASE-T EEE	RW	1	Advertise 1000Base-T EEE Capability. 1: Advertise 0: Do not advertise
7.60.1	100BASE-TX EEE	RW	1	Advertise 100Base-TX EEE Capability. 1: Advertise 0: Do not advertise
7.60.0	RSVD	RW	0	Reserved.

7.3.26. EEELPAR (EEE Link Partner Ability Register, MMD Device 7, Address 0x3d)

Table 46. EEELPAR (EEE Link Partner Ability Register, MMD Device 7, Address 0x3d)

Bit	Name	RW	Default	Description
7.61.15:3	RSVD	RO	0	Reserved.
7.61.2	LP 1000BASE-T EEE	RO	0	1: Link Partner is capable of 1000Base-T EEE 0: Link Partner is not capable of 1000Base-T EEE
7.61.1	LP 100BASE-TX EEE	RO	0	1: Link Partner is capable of 100Base-TX EEE 0: Link Partner is not capable of 100Base-TX EEE
7.61.0	RSVD	RO	0	Reserved.

8. Switching Regulator

The RTL8211E/RTL8211EG incorporates a state-of-the-art switching regulator that requires a well-designed PCB layout in order to achieve good power efficiency and lower the output voltage ripple and input overshoot. The switching regulator 1.05V output pin (REG_OUT) should be connected only to DVDD10 and AVDD10 (do not provide this power source to other devices).

8.1. PCB Layout

- The input 3.3V power trace connected to VDDREG must be wider than 40mils
- The bulk de-coupling capacitors (Cin1 and Cin2) must be placed within 200mils (0.5cm) of VDDREG to prevent input voltage overshoot
- The output power trace out of REG_OUT must be wider than 60mils
- Lx (2.2 μ H/4.7 μ H) must be kept within 200mils (0.5cm) of REG_OUT
- Cout1 and Cout2 must be kept within 200mils (0.5cm) of Lx to ensure stable output power and better power efficiency
- For switching regulator stability, the capacitor Cout1 and Cout2 must be a ceramic (X5R) capacitor. Cin1 and Cin2 are recommended to be ceramic capacitors
- Place Lx and Cin1 on the same layer as the RTL8211E/RTL8211EG. Do not use vias on VDDREG and REG_OUT traces

Note: Violation of the above rules will damage the IC.

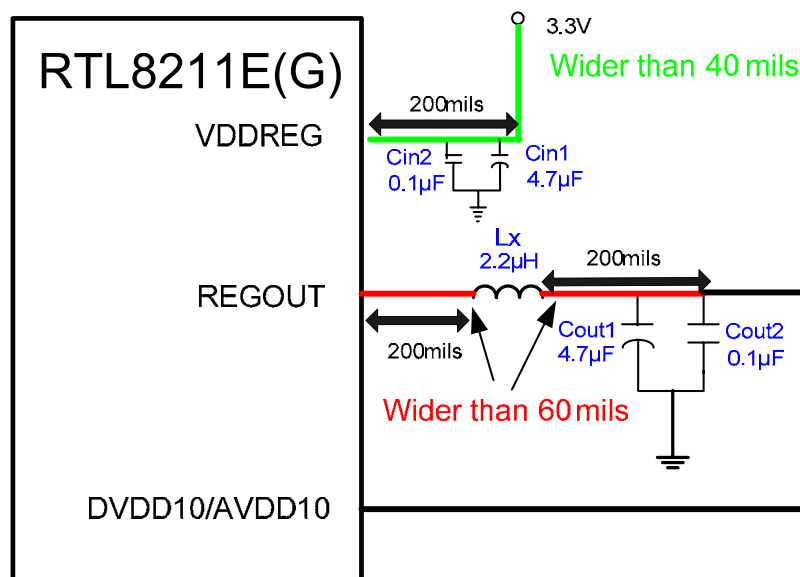


Figure 8. Switching Regulator

8.2. Inductor and Capacitor Parts List

Table 47. Inductor and Capacitor Parts List

Inductor Type	Inductance	Max IDC (mA)	Variation	Output Ripple (mV)
GLK2510P-2R2M	2.2 μ H	1000	$\leq 20\%$	(See Figure 12, Figure 13)
GLK2510P-4R7M	4.7 μ H	750	$\leq 20\%$	(See Figure 14, Figure 15)
GTSD32P-2R2M	2.2 μ H	1500	$\leq 20\%$	(See Figure 16)

Note 1: The ESR is equivalent to RDC or DCR. Lower ESR inductor values will promote a higher-efficiency switching regulator.

Note 2: The power inductor used by the switching regulator must be able to withstand 600mA of current.

Note 3: Typically, if the power inductor's ESR at 1MHz is below 0.8 Ω , the switching regulator efficiency will be above 75%. However the actual switching regulator efficiency should be measured according to the method described in section 8.4 Efficiency Measurement, page 51.

Note 4: If the inductor does not meet this requirement, it may damage the switching regulator. Refer to the RTL8211E_EG inductor Approved Vendor List (AVL) for details.

Capacitor Type	Capacitance	ESR at 1MHz (m Ω)	Output Ripple (mV)
4.7 μ F 0805 X5R TDK	4.838	40.28	(See Figure 12, Figure 14)
10 μ F 0603 X5R YAGEO	11.956	58.29	(See Figure 13, Figure 15)

Note: Capacitors (Cin1 & Cin2) must be ceramic due to their low ESR value. Lower ESR values will yield lower output voltage ripple.

8.3. Measurement Criteria

In order for the switching regulator to operate properly, the input and output voltage measurement criteria must be met. From the input side, the voltage overshoot cannot exceed 4V; otherwise the chip may be damaged. Note that the voltage signal must be measured directly at the VDDREG pin, not at the capacitor. In order to reduce the input voltage overshoot, the Cin1 and Cin2 must be placed close to the VDDREG pin. The following figures show what a good input voltage and a bad one look like.

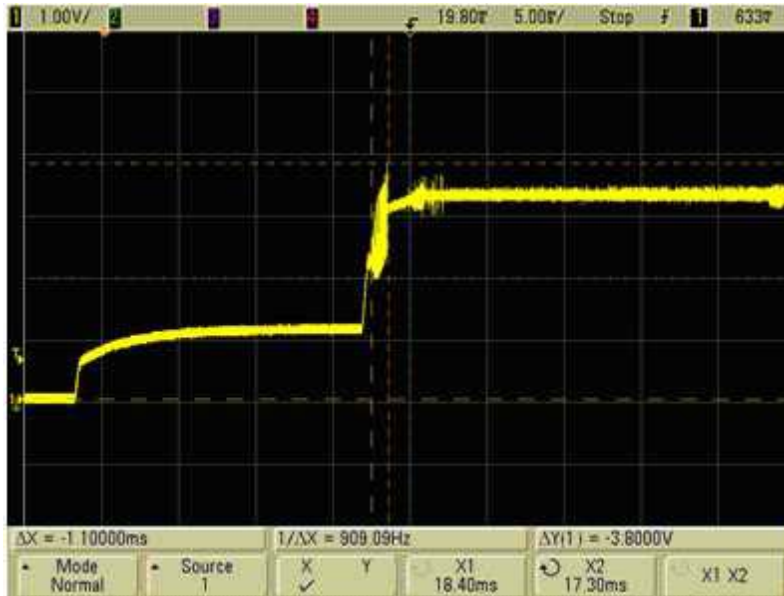


Figure 9. Input Voltage Overshoot <4V (Good)



Figure 10. Input Voltage Overshoot >4V (Bad)

From the output side measured at the REG_OUT pin, the voltage ripple must be within 100mV peak-to-peak. Choosing different types and values of input and output capacitor (Cin1, Cin2; Cout1, Cout2) and power inductor (Lx) will seriously affect the efficiency and output voltage ripple of switching regulators. The following figures show the effects of different types of capacitors on the switching regulator's output voltage.

The blue square wave signal (top row) is measured at the output of the REG_OUT pin before the power inductor (Lx). The yellow signal (second row) is measured after the power inductor (Lx), and shows there is a voltage ripple. The green signal (lower row) is the current. Data in the following figures was measured at gigabit speed.

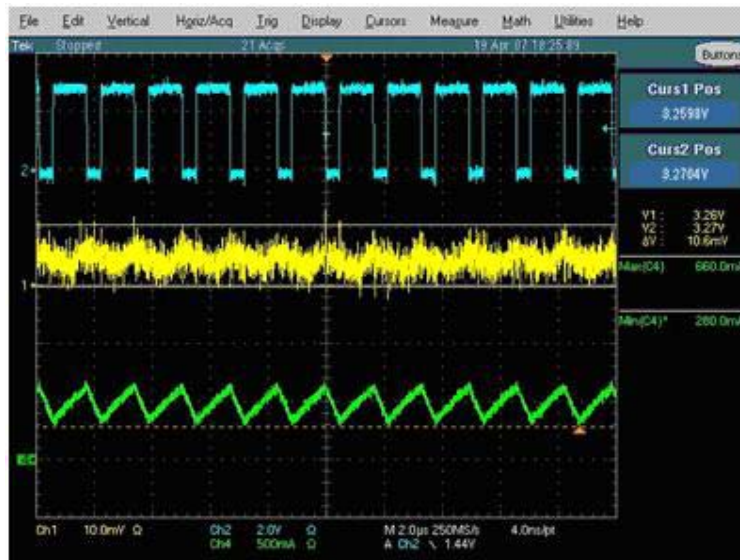


Figure 11. Ceramic 10 μ F 0603 (X5R) (Good)



Figure 12. L=GLK2510P-2R2M, C=Ceramic 4.7 μ F 0805 X5R TDK (Ripple 12.4mV)

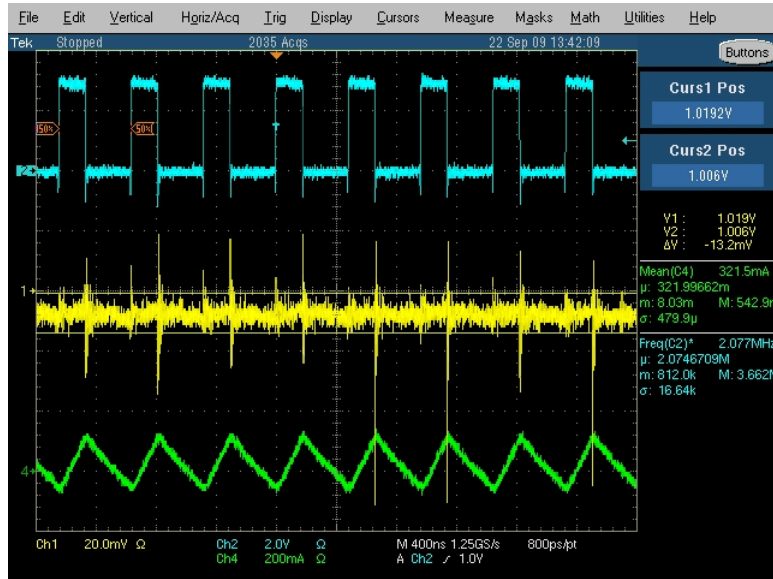


Figure 13. L=GLK2510P-2R2M, C=Ceramic 10 μ F 0603 X5R YAGEO (Ripple 13.2mV)

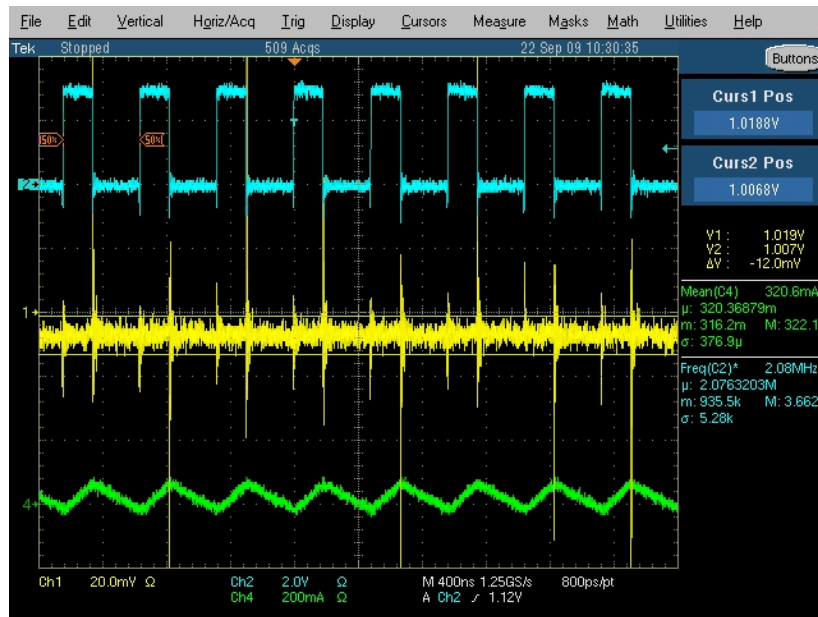


Figure 14. L=GLK2510P-4R7M, C=Ceramic 4.7 μ F 0805 X5R TDK (Ripple 12mV)

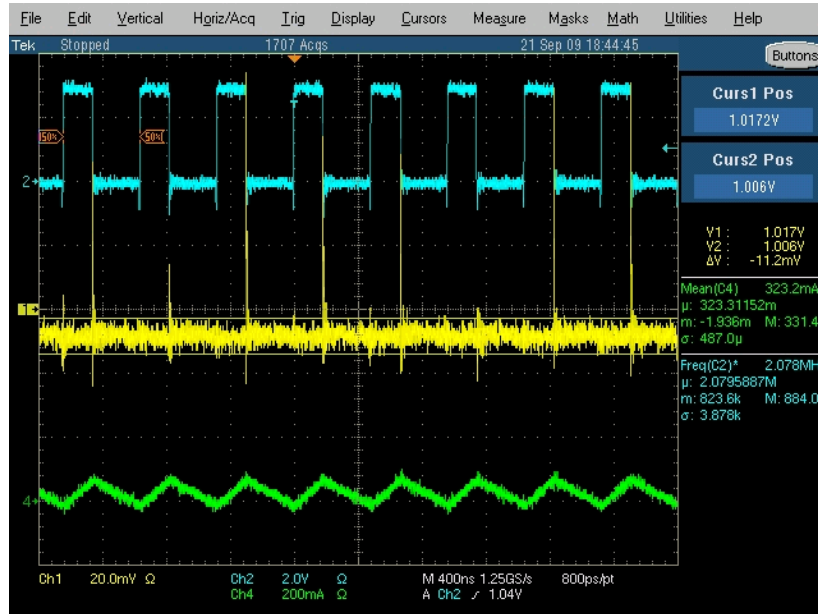


Figure 15. L=GLK2510P-4R7M, C=Ceramic 10μF 0603 X5R YAGEO (Ripple 11.2mV)

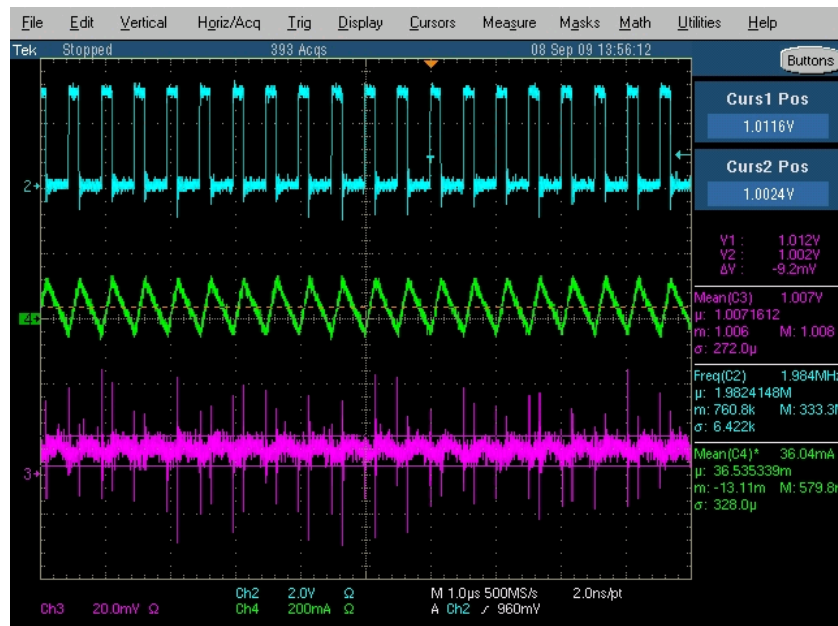


Figure 16. L=GTSD32P-2R2M, C=Ceramic 4.7μF 0805 X5R TDK (Ripple 9.2mV)

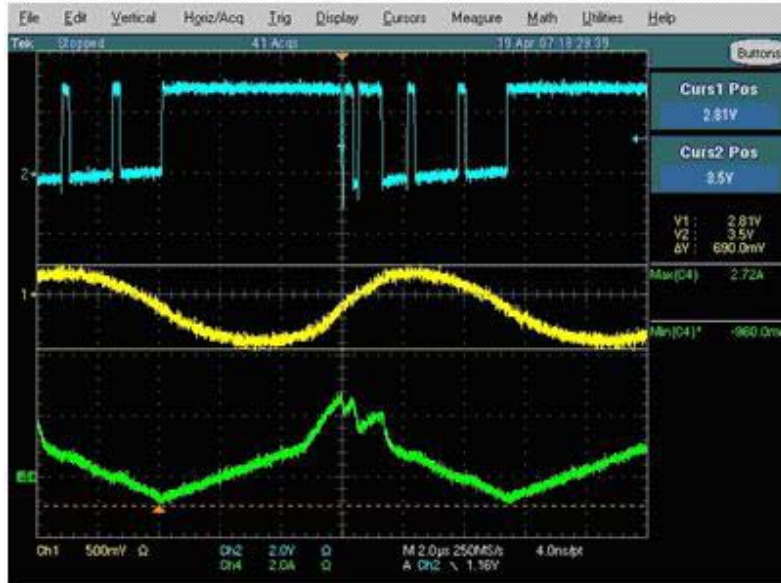


Figure 17. Ceramic 10 μ F (Y5V) (Bad)

A ceramic 10 μ F (X5R) will have a lower voltage ripple compared to an electrolytic 100 μ F. The key to choosing a proper output capacitor is to choose the lowest ESR to reduce the output voltage ripple. Choosing a ceramic 10 μ F (Y5V) in this case will cause malfunction of the switching regulator. Placing several Electrolytic capacitors in parallel will help lower the output voltage ripple.



Figure 18. Electrolytic 100 μ F (Ripple Too High)

The following figures show how different inductors affect the REG_OUT output waveform. The typical waveform should look like Figure 19, which has a square waveform with a dip at the falling edge and the rising edge. If the inductor is not carefully chosen, the waveform may look like Figure 20, where the waveform looks like a distorted square. This will cause insufficient current supply and will undermine the stability of the system at gigabit speed. Data in the following figures was measured at gigabit speed

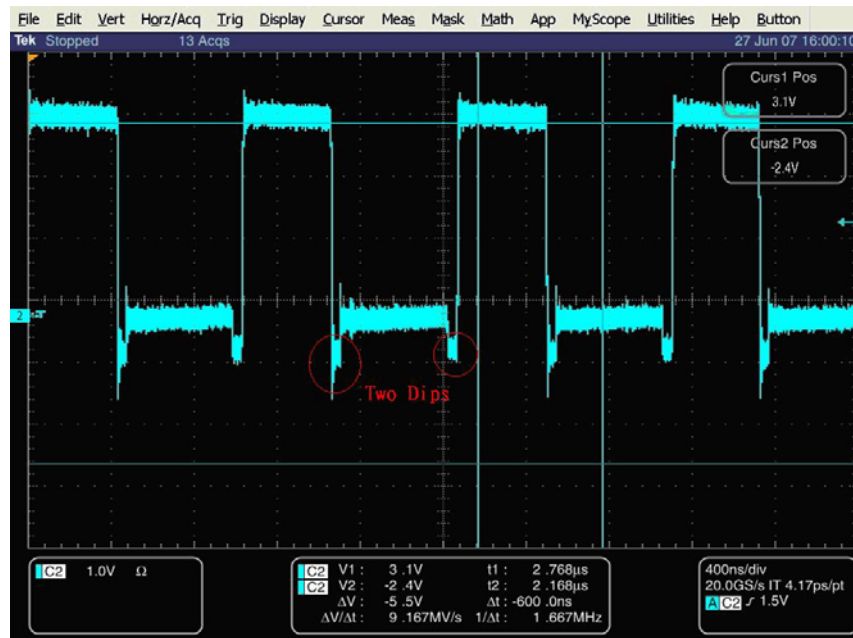


Figure 19. GTSD32P-2R2M (Good)

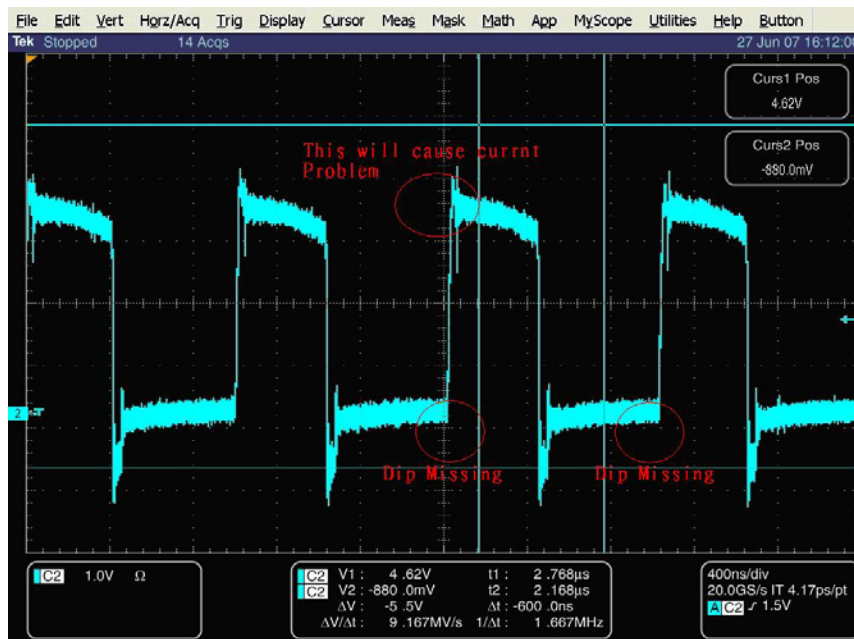


Figure 20. 1 μ H Bead (Bad)

8.4. Efficiency Measurement

The efficiency of the switching regulator is designed to be above 75% in gigabit traffic mode. It is very important to choose a suitable inductor before Gerber certification, as the Inductor ESR value will affect the efficiency of the switching regulator. An inductor with a lower ESR value will result in a higher efficiency switching regulator.

The efficiency of the switching regulator is easily measured using the following method.

Figure 21, page 52 shows two checkpoints, checkpoint A (CP_A) and checkpoint B (CP_B). The switching regulator input current (Icpa) should be measured at CP_A, and the switching regulator output current (Icpb) should be measured at CP_B.

To determine efficiency, apply the following formula:

$$\text{Efficiency} = V_{cpb} * I_{cpb} / V_{cpa} * I_{cpa}$$

Where Vcpb is 1.05V; Vcpa is 3.3V. The measurements should be performed in gigabit traffic mode.

For example: The inductor used in the evaluation board is a GOTREND GTSD32-4R7M:

- The ESR value @ 1MHz is approximately 0.712ohm
- The measured Icpa is 101mA at CP_A
- The measured Icpb is 263mA at CP_B

These values are measured in gigabit traffic mode, so the efficiency of the GOTREND GTSD32-4R7M can be calculated as follows:

$$\text{Efficiency} = (1.05V * 263mA) / (3.3V * 101mA) = 0.823 = 82.3\%$$

We strongly recommend that when choosing an inductor for the switching regulator, the efficiency should be measured, and that the inductor should yield an efficiency rating higher than 75%. If the efficiency does not meet this requirement, there may be risk to the switching regulator reliability in the long run.

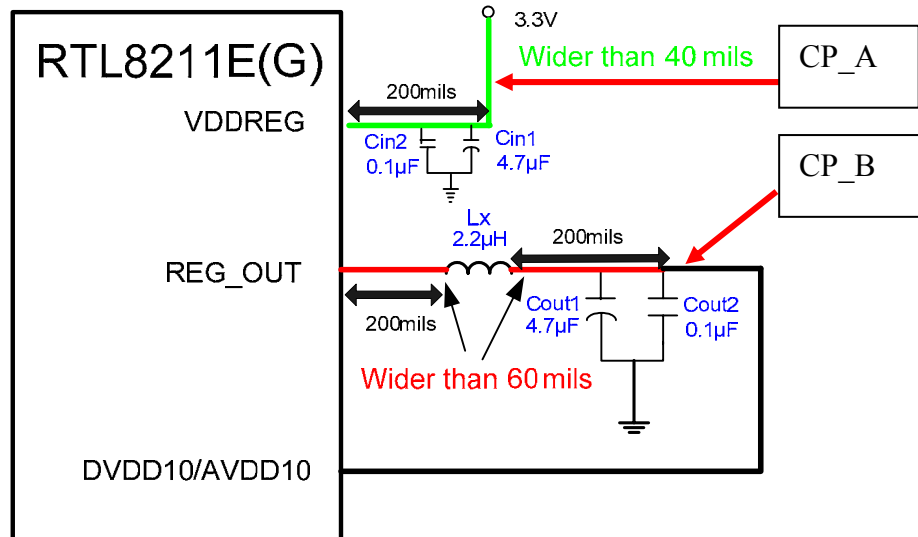


Figure 21. Switching Regulator Efficiency Measurement Checkpoint

8.5. Power Sequence

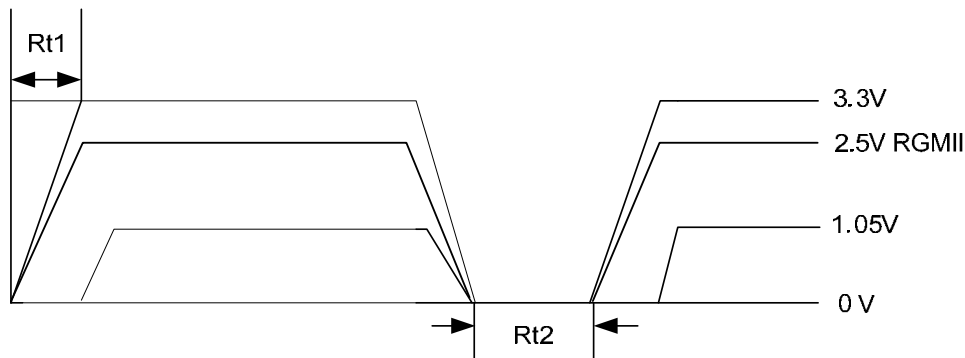


Figure 22. Power Sequence

Table 48. Power Sequence parameter

Symbol	Description	Min	Typical	Max	Units
Rt1	3.3V Rise Time	1	-	100	ms
Rt1	2.5V RGMII Rise Time	-	-	100	ms
Rt2	3.3V Off Time	200	-	-	ms

Note 1: The RTL8211E/RTL8211EG does not support fast 3.3V rising. The 3.3V rise time must be controlled over 1ms. If the rise time is too short, it will induce a peak voltage in VDDREG which may cause permanent damage to the switching regulator.

Note 2: If there is any action that involves consecutive ON/OFF toggling of the switching-regulator source (3.3V), the design must make sure the OFF state of both the switching-regulator source (3.3V) and output (1.05V) reach 0V, and the time period between the consecutive ON/OFF toggling action must be longer than 200ms.

Note 3: When using an external oscillator or clock source, on stopping the clock source the RTL8211E/RTL8211EG must also be powered off.

9. Characteristics

9.1. Absolute Maximum Ratings

WARNING: Absolute maximum ratings are limits beyond which permanent damage may be caused to the device, or device reliability will be affected. All voltages are specified reference to GND unless otherwise specified.

Table 49. Absolute Maximum Ratings

Symbol	Description	Minimum	Maximum	Unit
VDD33, AVDD33	Supply Voltage 3.3V	-0.4	3.7	V
AVDD10, DVDD10	Supply Voltage 1.05V	-0.1	1.26	V
VDD25 (RGMII 2.5V)	Supply Voltage 2.5V	-0.2	2.8	V
Dcinput	Input Voltage	-0.5	Corresponding Supply Voltage + 0.5	V
Dcoutput	Output Voltage	-0.3	Corresponding Supply Voltage + 0.5	V
NA	Storage Temperature	-55	+125	°C

Note: Refer to the most updated schematic circuit for correct configuration.

9.2. Recommended Operating Conditions

Table 50. Recommended Operating Conditions

Description	Pins	Minimum	Typical	Maximum	Unit
Supply Voltage VDD	DVDD33, AVDD33	2.97	3.3	3.63	V
	AVDD10, DVDD10	0.95	1.05	1.09	V
	2.5V RGMII	2.4	2.5	2.62	V
Ambient Operating Temperature T _A	-	0	-	70	°C
Maximum Junction Temperature	-	-	-	125	°C

9.3. Crystal Requirements

Table 51. Crystal Requirements

Symbol	Description/Condition	Minimum	Typical	Maximum	Unit
F _{ref}	Parallel Resonant Crystal Reference Frequency, Fundamental Mode, AT-Cut Type.	-	25	-	MHz
F _{ref} Stability	Parallel Resonant Crystal Frequency Stability, Fundamental Mode, AT-Cut Type. T _a =0°C~70°C.	-30	-	+30	ppm
F _{ref} Tolerance	Parallel Resonant Crystal Frequency Tolerance, Fundamental Mode, AT-Cut Type. T _a =25°C.	-50	-	+50	ppm
F _{ref} Duty Cycle	Reference Clock Input Duty Cycle.	40	-	60	%
ESR	Equivalent Series Resistance.	-	-	30	Ω
DL	Drive Level.	-	-	0.5	mW
Jitter	Broadband Peak to Peak Jitter ^{1,2}	-	-	200	ps

Note 1: 25KHz to 25MHz RMS < 3ps.

Note 2: Broadband RMS < 9ps.

9.4. Oscillator Requirements

Table 52. Oscillator Requirements

Parameter	Condition	Minimum	Typical	Maximum	Unit
Frequency	-	-	25/50	-	MHz
Frequency Stability	Ta = 0°C~70°C	-30	-	30	ppm
Frequency Tolerance	Ta = 25°C	-50	-	50	ppm
Duty Cycle	-	40	-	60	%
Broadband Peak to Peak Jitter ^{1,2}	-	-	-	200	ps
Vp-p	-	3.15	3.3	3.45	V
Rise Time (10%~90%)	-	-	-	10	ns
Fall Time (10%~90%)	-	-	-	10	ns
Operating Temperature Range	-	0	-	70	°C

Note 1: 25KHz to 25MHz RMS < 3ps.

Note 2: Broadband RMS < 9ps.

9.5. DC Characteristics

Table 53. DC Characteristics

Symbol	Parameter	Conditions	Minimum	Typical	Maximum	Units
VDD33, AVDD33	3.3V Supply Voltage	-	2.97	3.3	3.63	V
RGMI I/O	2.5V RGMII Supply Voltage	-	2.37	2.5	2.62	V
DVDD10, AVDD10	1.05V Supply Voltage	-	0.95	1.05	1.09	V
Voh (3.3V)	Minimum High Level Output Voltage	-	0.9*VDD33	-	VDD33	V
Voh (2.5V)	Minimum High Level Output Voltage	-	0.9*VDD25	-	VDD25	V
Vol (3.3V)	Maximum Low Level Output Voltage	-	0	-	0.1*VDD33	V
Vol (2.5V)	Maximum Low Level Output Voltage	-	0	-	0.1*VDD25	V
Vih	Minimum High Level Input Voltage	-	1.8	-	-	V
Vil	Maximum Low Level Input Voltage	-	-	-	0.9	V
Iin	Input Current	Vin=VDD33 or GND	0	-	0.5	μA

9.6. AC Characteristics

9.6.1. MDC/MDIO Timing

MDC/MDIO Timing – Management Port

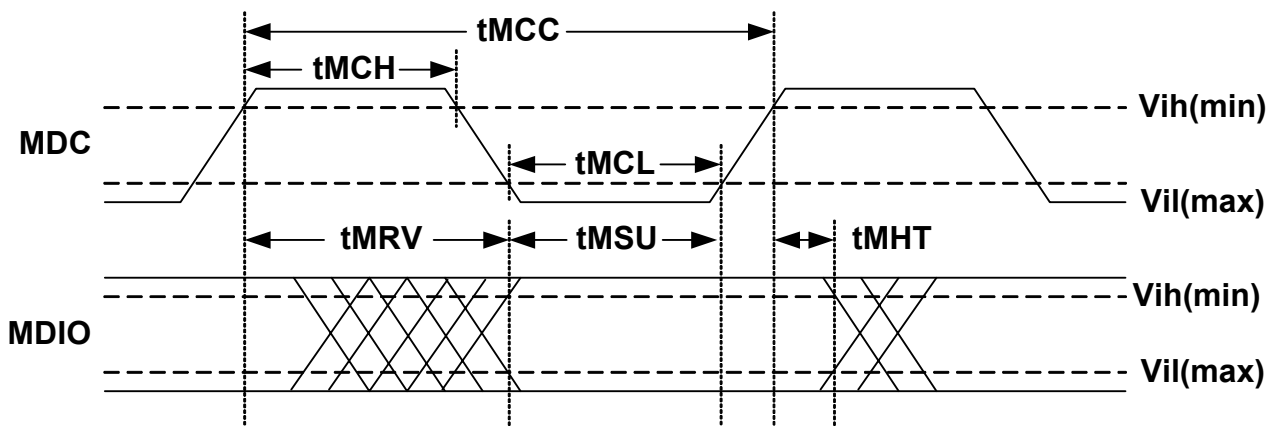


Figure 23. MDC/MDIO Management Timing Parameters

Table 54. MDC/MDIO Management Timing Parameters

Symbol	Description	Min	Max	Units
tMCC	MDC Cycle Time	400	-	ns
tMCH	MDC High Time	160	-	ns
tMCL	MDC Low Time	160	-	ns
tMSU	MDIO Setup Time	10	-	ns
tMHT	MDIO Hold Time	10	-	ns
tMRV	MDC Clock Rise to MDIO Valid	-	300	ns

9.6.2. MII Transmission Cycle Timing (RTL8211EG Only)

Table 55. MII Transmission Cycle Timing

Symbol	Description		Minimum	Typical	Maximum	Unit
t ₁	TXCLK High Pulse Width	100Mbps	14	20	26	ns
		10Mbps	140	200	260	ns
t ₂	TXCLK Low Pulse Width	100Mbps	14	20	26	ns
		10Mbps	140	200	260	ns
t ₃	TXCLK Period	100Mbps	-	40	-	ns
		10Mbps	-	400	-	ns
t ₄	TXEN, TXER, TXD[0:3] Hold to TXCLK Rising Edge	100Mbps	0	-	25	ns
		10Mbps	0	-	25	ns

Figure 24 show an example of a packet transfer from MAC to PHY on the MII interface.

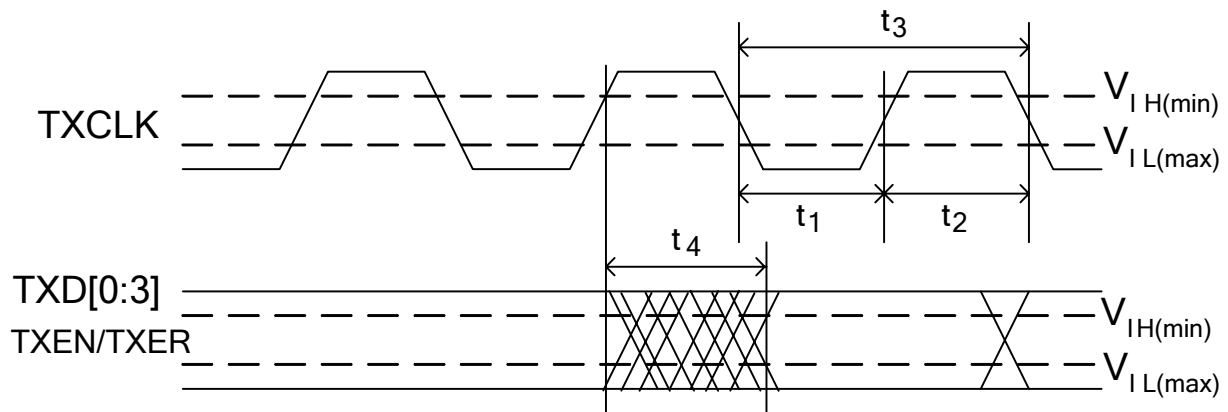


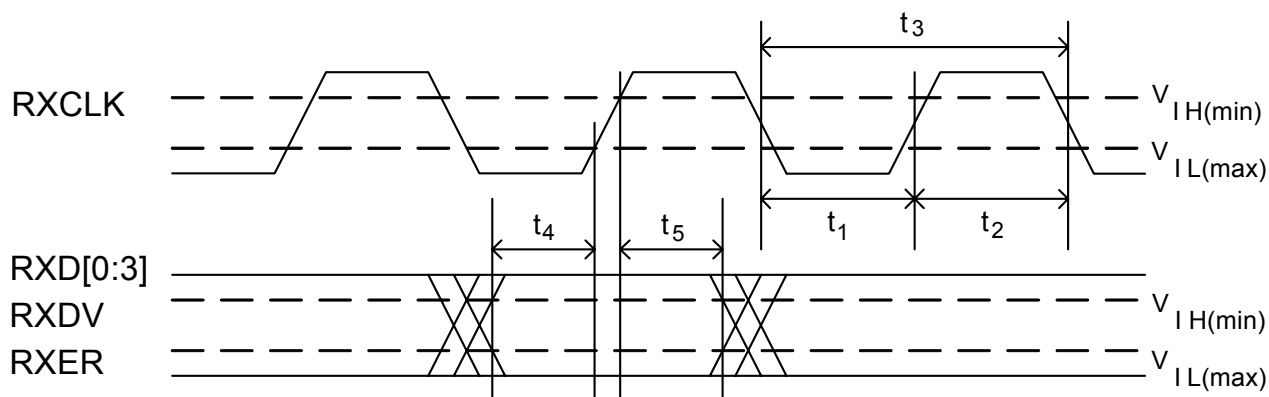
Figure 24. MII Transmission Cycle Timing

9.6.3. MII Reception Cycle Timing (RTL8211EG Only)

Table 56. MII Reception Cycle Timing

Symbol	Description		Minimum	Typical	Maximum	Unit
t ₁	RXCLK High Pulse Width	100Mbps	14	20	26	ns
		10Mbps	140	200	260	ns
t ₂	RXCLK Low Pulse Width	100Mbps	14	20	26	ns
		10Mbps	140	200	260	ns
t ₃	RXCLK Period	100Mbps	-	40	-	ns
		10Mbps	-	400	-	ns
t ₄	RXER, RXDV, RXD[0:3] Setup to RXCLK Rising Edge	100Mbps	10	-	-	ns
		10Mbps	10	-	-	ns
t ₅	RXER, RXDV, RXD[0:3] Hold After RXCLK Rising Edge	100Mbps	10	-	-	ns
		10Mbps	10	-	-	ns

Figure 25 show an example of a packet transfer from PHY to MAC on the MII interface.


Figure 25. MII Reception Cycle Timing

9.6.4. GMII Timing Modes (RTL8211EG Only)

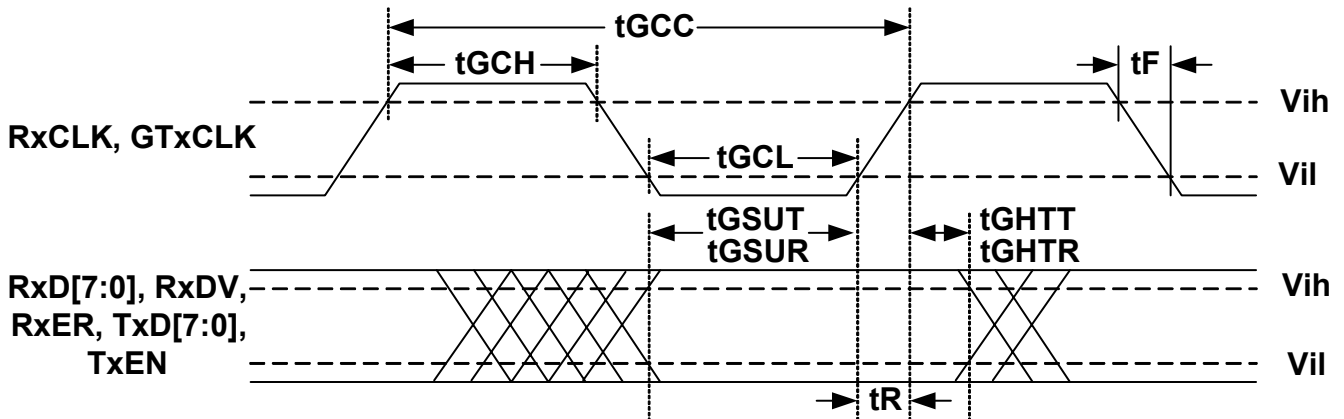
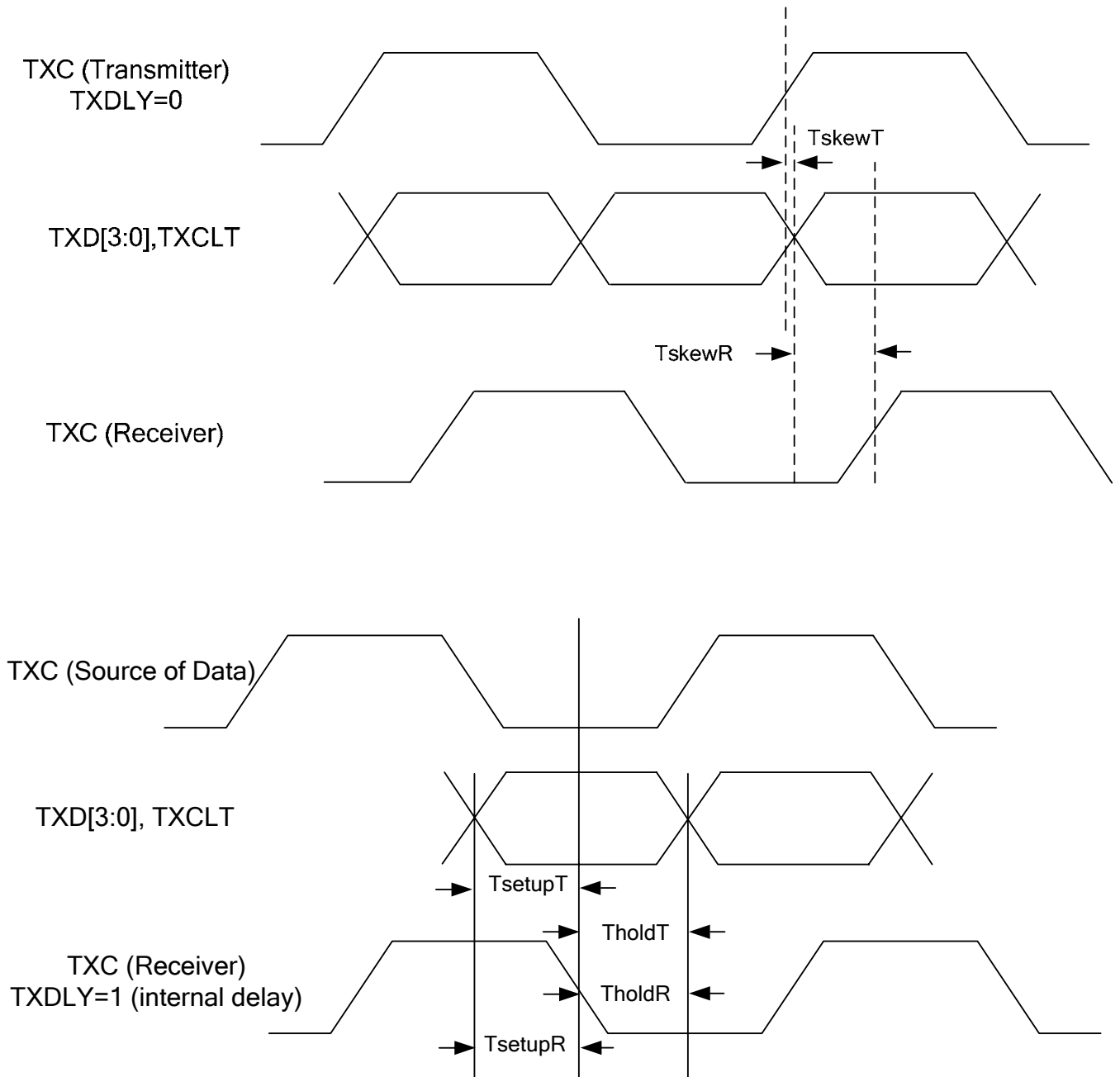


Figure 26. GMII Timing

Table 57. GMII Timing Parameters

Symbol	Description	Min	Typical	Max	Units
tGCC	RxCLK Cycle Time	7.5	8	-	ns
tGCH	GTxCLK, RxCLK High Time	2.5	-	-	ns
tGCL	GTxCLK, RxCLK Low Time	2.5	-	-	ns
tR	GTxCLK, RxCLK Rise Time	-	-	1	ns
tF	GTxCLK, RxCLK Fall Time	-	-	1	ns
tGSUT	RxD, RxDV, RxER Setup to \uparrow of RxCLK	2.5	-	-	ns
tGHTT	RxD, RxDV, RxER Hold from \uparrow of RxCLK	0.5	-	-	ns
tGSUR	TxD, TxEN Setup to \uparrow of GTxCLK	2	-	-	ns
tGHTR	TxD, TxEN Hold from \uparrow of GTxCLK	0	-	-	ns

9.6.5. RGMII Timing Modes



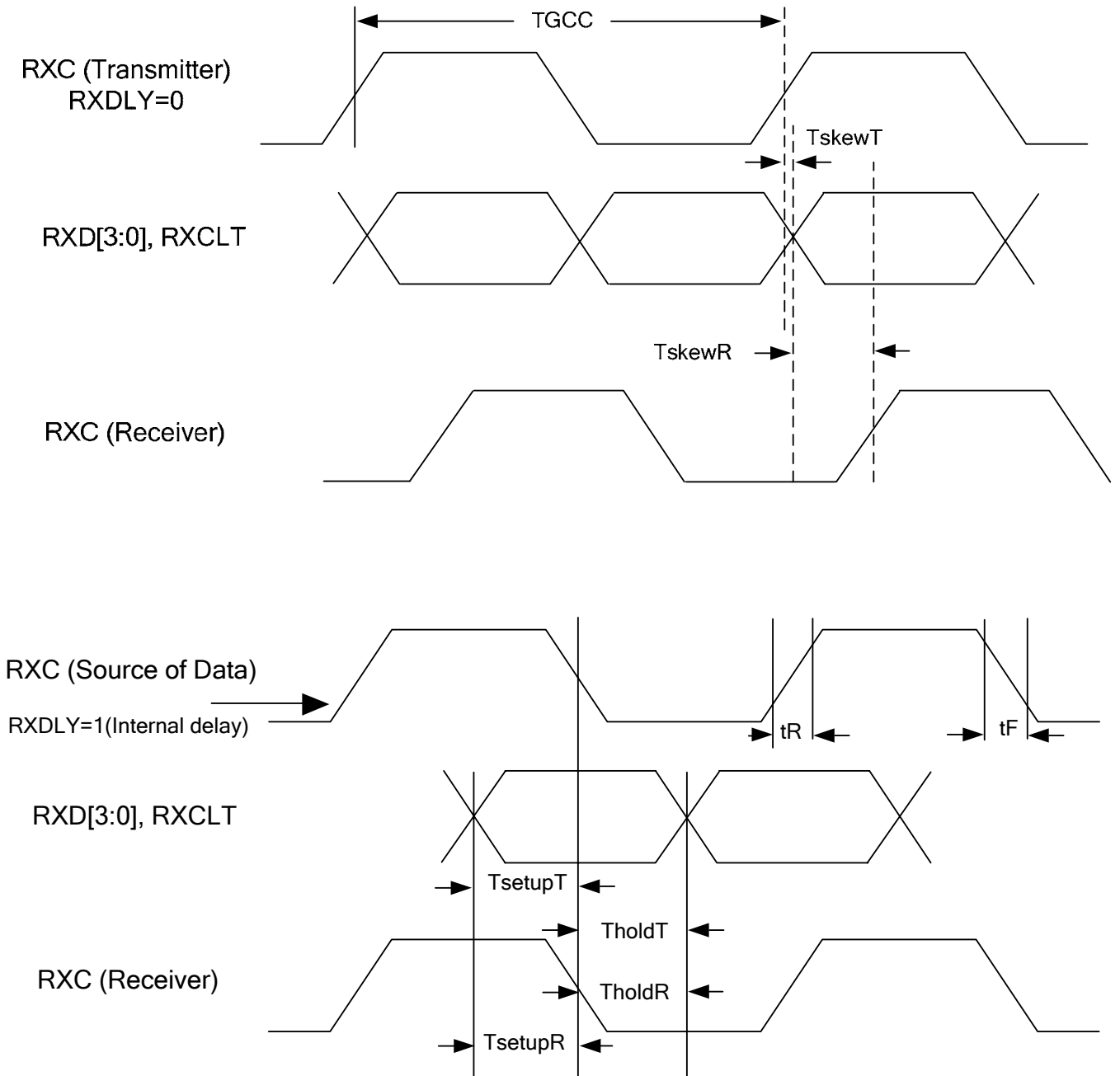


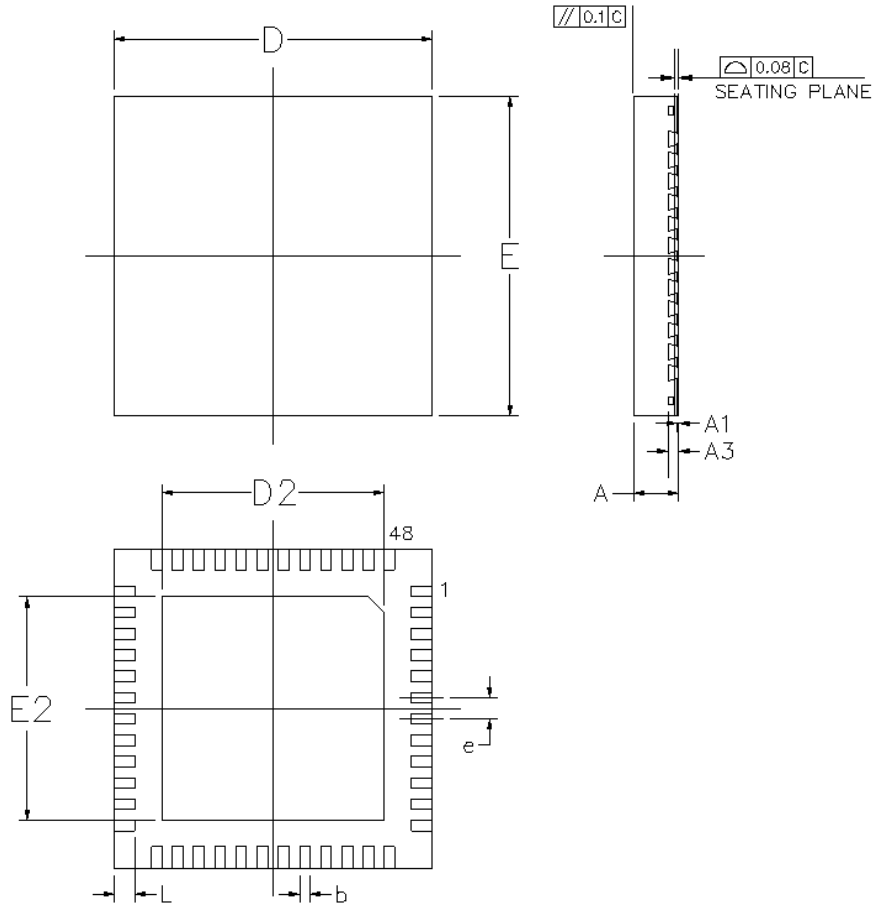
Figure 27. RGMII Timing Modes

Table 58. RGMII Timing Parameters

Symbol	Description	Min	Typical	Max	Units
TGCC	Clock Cycle Duration (Giga)	7.2	8	8.8	ns
	Clock Cycle Duration (100Mbps)	36	40	44	ns
	Clock Cycle Duration (10Mbps)	360	400	440	ns
Duty_G	Duty Cycle for Gigabit	45	50	55	%
Duty_T	Duty Cycle for 10/100T	40	50	60	%
tR	RXC Rise Time (20%~80%)	-	-	0.75	ns
tF	RXC Fall Time (20%~80%)	-	-	0.75	ns
TsetupT	Data to clock output Setup (at transmitter integrated delay)	1.2	2	-	ns
TholdT	Data to clock output Hold (at transmitter integrated delay)	1.2	2	-	ns
TsetupR	Data to clock input Setup (at receiver integrated delay)	1.0	2	-	ns
TholdR	Data to clock input Hold (at receiver integrated delay)	1.0	2	-	ns
TskewT	Data to Clock Output Skew (at transmitter)	-0.5	0	0.5	ns
TskewR	Data to Clock Input Skew (at receiver)	1	1.8	2.6	ns

10. Mechanical Dimensions

10.1. RTL8211E Mechanical Dimensions (48-Pin QFN)



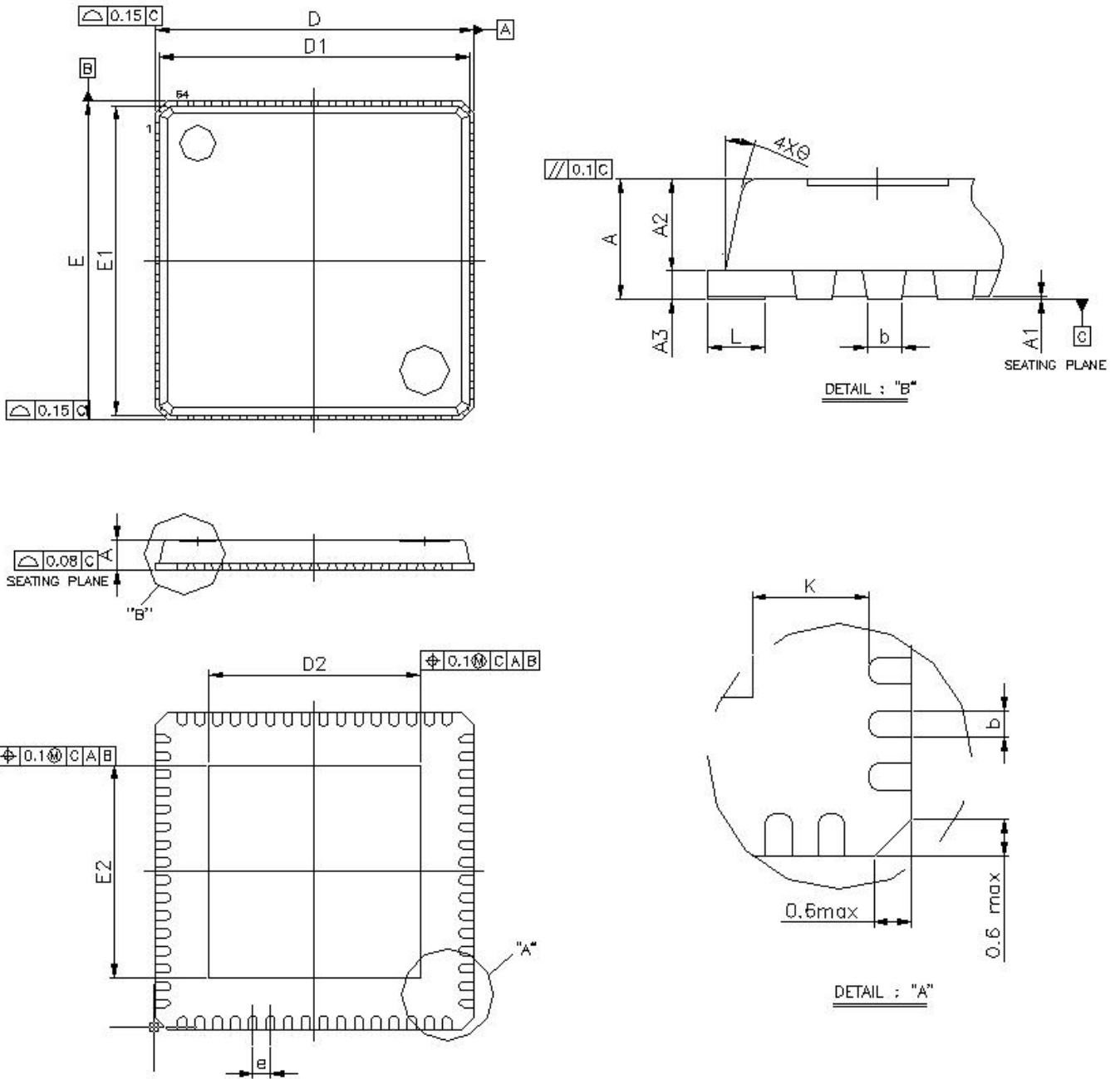
10.2. Mechanical Dimensions Notes (RTL8211E)

Symbol	Dimension in mm			Dimension in inch		
	Min	Nom	Max	Min	Nom	Max
A	0.75	0.85	1.00	0.030	0.034	0.039
A ₁	0.00	0.02	0.05	0.000	0.001	0.002
A ₃	0.20REF			0.008REF		
b	0.15	0.20	0.25	0.006	0.008	0.010
D/E	6.00BSC			0.236BSC		
D2/E2	4.15	4.4	4.65	0.163	0.173	0.183
e	0.40BSC			0.016BSC		
L	0.30	0.40	0.50	0.012	0.016	0.020

Note 1: CONTROLLING DIMENSION: MILLIMETER (mm).

Note 2: REFERENCE DOCUMENT: JEDEC MO-220.

10.3. RTL8211EG Mechanical Dimensions (64-Pin QFN)



10.4. Mechanical Dimensions Notes (RTL8211EG)

Symbol	Dimension in mm			Dimension in inch		
	Min	Nom	Max	Min	Nom	Max
A	0.75	0.85	1.00	0.030	0.034	0.039
A ₁	0.00	0.02	0.05	0.000	0.001	0.002
A ₂	0.55	0.65	0.80	0.022	0.026	0.032
A ₃	0.20REF			0.008REF		
b	0.18	0.25	0.30	0.007	0.010	0.012
D/E	9.00BSC			0.354BSC		
D ₁ /E ₁	8.75BSC			0.344BSC		
D ₂ /E ₂	5.25	5.5	5.75	0.206	0.216	0.226
e	0.50BSC			0.020BSC		
L	0.30	0.40	0.50	0.012	0.016	0.020
θ	0°	-	14°	0°	-	14°

Note 1: CONTROLLING DIMENSION: MILLIMETER (mm).

Note 2: REFERENCE DOCUMENT: JEDEC MO-220.

11. Ordering Information

Table 59. Ordering Information

Part Number	Package	Status
RTL8211E-VB-CG	48-Pin QFN with 'Green' Package	
RTL8211E-VL-CG	48-Pin QFN with 'Green' Package	
RTL8211EG-VB-CG	64-Pin QFN with 'Green' Package	

Note: See page 4 (RTL8211E) & 5 (RTL8211EG) for package identification.

Realtek Semiconductor Corp.**Headquarters**

No. 2, Innovation Road II

Hsinchu Science Park, Hsinchu 300, Taiwan

Tel.: +886-3-578-0211 Fax: +886-3-577-6047

www.realtek.com